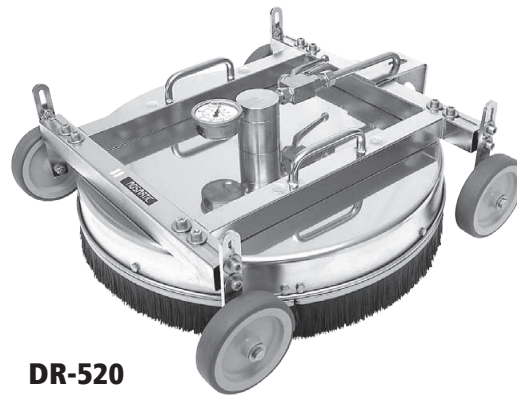


The MOSMATIC roof cleaner DR-520 is an industrial quality tool specially designed for efficient, high pressure roof cleaning while keeping the operator in a safe operating area.

The premium MOSMATIC swivel ensures optimum performance under harsh conditions. This new design allows the operator to maneuver and lower the roof cleaner along the roof surface by using the high pressure hose and the safety cable. The height and width adjustable cleaner works for most common roof designs, adding safety and stability.

Inlet : M22x1.5-M / G1/4" F
 Pressure : 275/500 bar
 Temperature : 120°C



DR-520

Name	Part No.	ø	Width	Height	Weight	Rotor Arm	Nozzles
DR-520	80.651	520	550-640	195-228	14.5kg	2x 1/8" NPTF	---
DR-520*	80.662	520	550-640	195-228	14.5kg	2x 1/8" NPTF	---

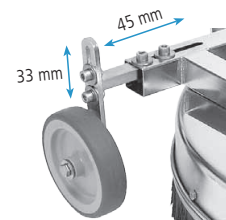
* Pressure: 500 bar / Eingang G1/4" F



FEATURES

Height and Width Adjustable

The DR-520 is adjustable up to 90mm extended width and 33mm in height. It works for any type of roof design adding safety and stability.



Safety Eye

Allows you to easily secure the roof cleaner with a safety rope or cable.



Swiveling Connector

For easy hose connection.

Pressure Gauge

Use the pressure gauge to monitor your cleaning pressure. This is very important to secure optimal cleaning effect on different roof types.



Ball Valve

Makes it easy and convenient to turn off the flow to the unit.



Swiss Engineering

Swivel with reinforcing self-lubricating ball bearings made of stainless steel and a carbide density system designed for high rpm. This combination promises a long life.



DYU Swivel (500 bar)
 Part No. 59.916

DYT Swivel (275 bar)
 Part No. 59.907