

MEDIUM

DIESEL



MEDIUM

DIESEL

PORTATA
FLOW RATE

20 - 25 lt/min
5.2 - 6.6 gal/min

PRESSIONE MINIMA
MIN PRESSURE

3 Bar
43.51 Psi

PRESSIONE MASSIMA
MAX PRESSURE

500 Bar
7251.89 Psi

RENDIMENTO
PERFORMANCE

20 lt → 80.000 Kcal/h → 93 Kw
25 lt → 90.000 Kcal/h → 105 Kw

CONSUMO DIESEL
DIESEL CONSUMPTION

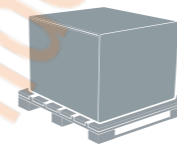
20 lt → 7.56 lt/h
25 lt → 8.5 lt/h

Consumo stimato calcolato alla pressione del gasolio di 10 bar
Estimated consumption calculated at the diesel pressure of 10 bar



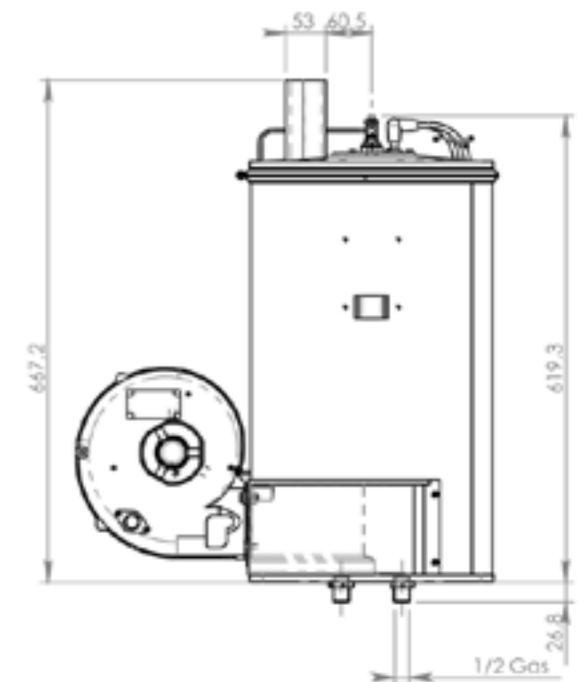
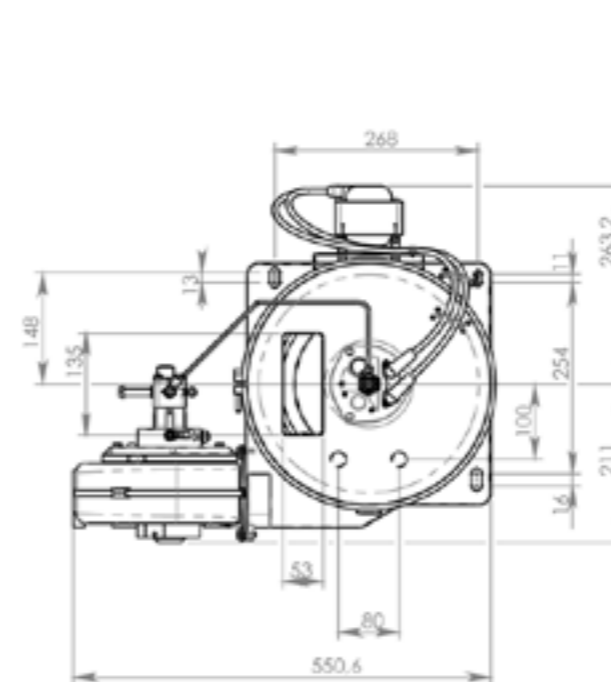
Codice Code	Serpentina / Coil		m	ft	Tubo / Pipe		Ugello Diesel Diesel Nozzle	Elettrovalvola Electrovalve	Motore Motor	Peso netto Net weight			
	Bar	Psi			Spessore / Thickness	Ø					Volts-Hz	Kg	Lbs
3.026.02.008	250	3625.94	20	5.2	35	114	2.6	3/8"	2	24V AC*	400V (50)	57	125.66
3.026.02.013	250	3625.94	20	5.2	35	114	2.6	3/8"	2	24V AC*	220V(50)	57	125.66
3.026.02.038	250	3625.94	20	5.2	35	114	2.6	3/8"	2	12V DC	12V	58	127.86
3.026.02.007	250	3625.94	25	6.6	35	114	2.6	3/8"	2.25	24V AC*	400V (50)	59	130
3.026.02.014	250	3625.94	25	6.6	35	114	2.6	3/8"	2.25	24V AC*	220V (50)	59	130
3.026.02.019	250	3625.94	25	6.6	35	114	2.6	3/8"	2.25	24V DC	24V	58	127.86
3.026.02.020	250	3625.94	25	6.6	35	114	2.6	3/8"	2.25	12V DC	12V	58	127.86
3.026.02.057	350	5076.32	25	6.6	35	114	2.77 **	3/8"	2.25	24V AC*	220V (50)	59	130
3.026.02.055	350	5076.32	25	6.6	35	114	2.77 **	3/8"	2.25	12V DC	12V	58	127.86
3.026.02.059	500	7251.89	25	6.6	35	114	2.77 **	3/8"	2.25	24V AC*	220V (50)	59	130
3.026.02.061	500	7251.89	25	6.6	35	114	2.77 **	3/8"	2.25	24V AC*	400V (50)	59	130

PACKAGING



PEZZI PER PALLET / PIECES EACH PALLET	CM	IN	KG	LBS
1	66X80X120	25.9X31.4X47.2	80	176.3
4	120X80X115	47.2X31.4X45.2	265	584.2

DIMENSIONI / DIMENSIONS



NOTE / NOTES



Caldaie con pressioni o portata diversa su richiesta
On demand heaters with different pressures or flow

NOTE / NOTES

COLLETTORE PORTA Sonda TERMOSTATO A RICHIESTA HOUSING FOR THERMOSTAT ON DEMAND

* A richiesta possono essere fornite elettrovalvole a 12V DC - 24V DC - 220V AC - 24V AC
* On demand: 12V DC - 24V DC - 220V AC - 24V AC electrovalves are available
DC: Corrente continua / DC current - AC: Corrente alternata / AC current
** Serpentina senza saldatura / Coil without welding