



**EV**

**Fast safety solenoid valve  
one way - normally closed**

# Fast safety solenoid valve one way - normally closed

Type EV

## 1- Applications

The Delta type EV electrical solenoid valve is a normally closed one-way, direct acting valve. It is designed for use as an interrupter valve or as a shut-off valve in fuel oil burners or manufacturing processes.

The body is fabricated of brass, the plunger is of magnetic quality steel and the seal is a synthetic rubber which is suitable for use with light distillate oils and other fluids that are compatible with the above materials.

## 2- Technical specifications

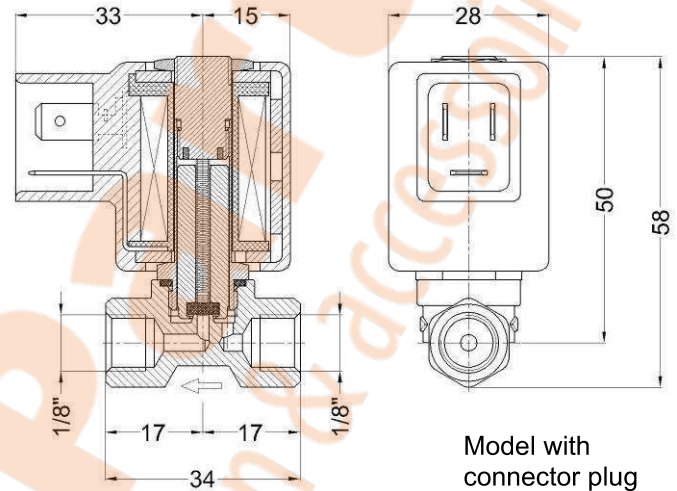
<b>Oil temperature:</b>	60°C max
<b>Max. operating pressure:</b>	25 Bar
<b>Ambient temperature:</b>	0°C / +60°C
<b>Opening response:</b>	Instantaneous cut-off (open when energized)
<b>Power consumption:</b>	9 W
<b>Protection class:</b>	IP65
<b>Flow factor (Kv):</b>	0,08 m <sup>3</sup> /h
<b>Orifice:</b>	Ø2 mm
<b>Weight:</b>	200 g
<b>Fluids:</b>	Kerosene, heating oil EL, Diesel, K1, #1, #2 fuel oil
<b>Connections:</b>	G1/8 MF G1/8 FF R1/8 M-G1/4 M FF 1/8" NPTF MF 1/8" NPTF

## 3- Materials and construction

<b>Body:</b>	Brass
<b>Plunger:</b>	Magnetic quality steel
<b>Spring:</b>	Stainless steel
<b>Windings:</b>	Copper
<b>Seal:</b>	FPM
<b>O-ring:</b>	NBR
<b>Cord set:</b>	PVC

## 4- Standards

According to EN ISO 23553-1



## 5- Mounting

- Check the direction of flow with the arrow printed on the valve body.
- Check correct alignment of connecting pipes.
- Do not use the valve stem to turn the unit onto the piping.
- Valve may be mounted with coil in horizontal or vertical position. Do not install upside-down.
- By releasing the nut on top of the valve, the coil may be oriented 360 degrees in any direction.
- Install in an area that is protected from rain and water splashes or drops.
- Do not use PTFE tape in the connections.
- An external filter must be always installed upstream the valve.
- Protection against accidental touch of hot coil must be provided by appropriate installation.

### ⚠ CAUTION

Turn off all power before servicing any part of the system.

## 6- Maintenance

### Coil replacement

- Disconnect power supply of the coil.
- Remove nut on top of valve.
- Replace coil with an identical one.
- Connect the replaced coil and reassemble.

### Seal cleaning

- Remove coil as described above.
- Using a 16 mm wrench unscrew the stem.
- Clean seal with clean oil and compressed air.
- Reassemble all the components.

**7- Valve identification****EV****8MF****F****B****700****Valve type****Connections**

8MF = G1/8 Male-G1/8 Female  
 8FF = G1/8 Female-G1/8 Female  
 8M4M = R1/8 Male-G1/4 Male  
 8FFN = 1/8"Female-1/8"Female NPTF  
 8MFN = 1/8"Male-1/8"Female NPTF

**Coil type**

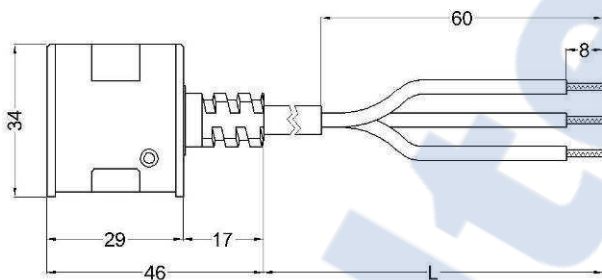
F = Connector plug  
 M = Flexible metal conduit

**Supply voltage**

A = 230V 50-60Hz (standard)  
 B = 110V 50-60Hz  
 C = 24V 50-60Hz  
 E = 24V DC

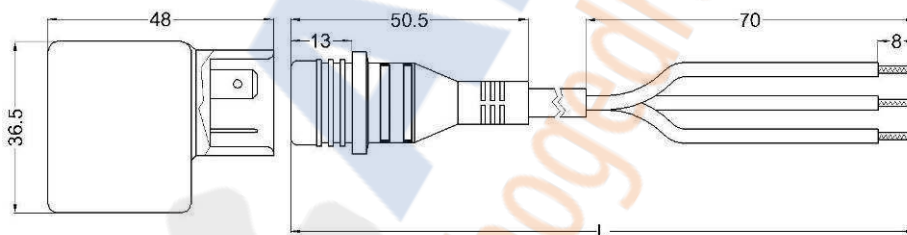
**Cable length L**

700 mm (standard)

**8- Coil styles**

The Delta solenoid valves are available with two different styles of coil.

The M8 style with molded cable<sup>1</sup> offers a fast and efficient method of connection resulting in greatly reduced installation time and cost.



The F84 style with an integral connector plug can easily be plugged directly into a standard electrical supply line connector, simplifying coil replacement.

Cable type H03VV-F 3x0.75 mm<sup>2</sup>

Elettromeccanica Delta S.p.A.  
 31030 Arcade (TV) Italy  
 Tel. +39 0422 874068  
 Fax. +39 0422 874048  
 info@delta-elektrogas.com  
 www.delta-elektrogas.com

We reserves the right to update or make technical changes without prior notice.