

- ✓ Friction bearing
- ✓ Stainless steel
- ✓ Maintenance free

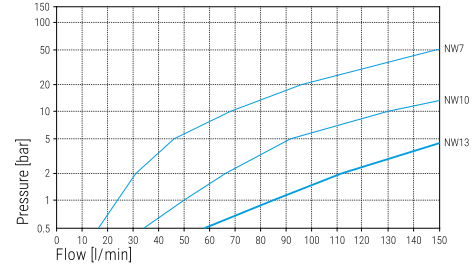
## Application

Ceiling booms, high pressure hose reels, high pressure cleaners

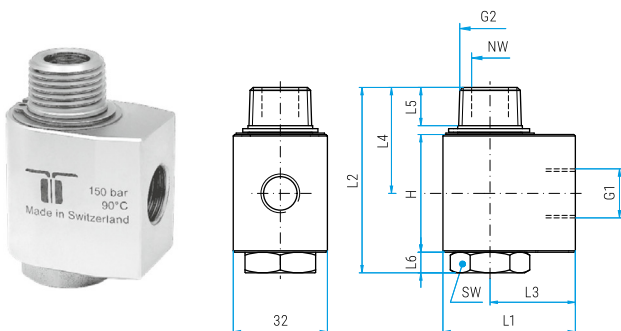
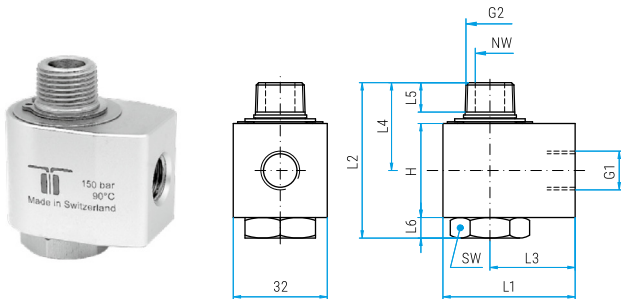
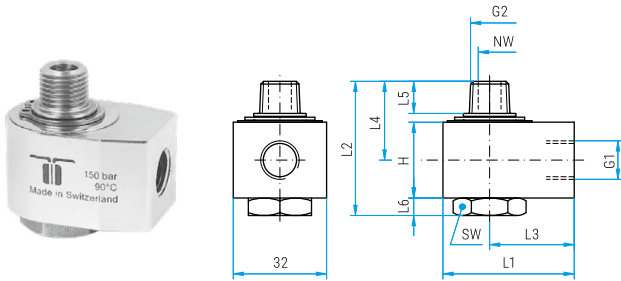
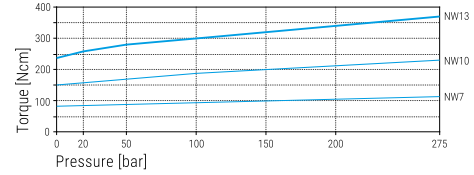
### TECHNICAL DATA

<b>Pressure</b>	150 bar (15 MPa) 275 bar* (27.5 MPa)
<b>Temperature</b>	90°C / 120°C*
<b>RPM</b>	max. 30 rpm
<b>Body</b>	brass, nickel plated
<b>Inner part</b>	stainless steel
<b>Seal</b>	O-ring NBR / Support ring (optional: EPDM or FKM)
<b>Bearing</b>	sliding bearing
<b>Throughput medium</b>	pH 3 - 12 10 µm filtered 20 bar compressed air

### Flow



### Torque



### WDG

Part No.	G1 (F)	G2 (M conical)	NW	H	L1	L2	L3	L4	L5	L6	SW	Weight
40.001	G1/4" F	R1/4" M	7	26	45	46	29	27	9	6	22	290 g
40.003	G1/4" F	R3/8" M	7	26	45	46	29	27	9	6	22	290 g
40.011	G3/8" F	R1/4" M	7	26	45	46	29	27	9	6	22	270 g
40.013	G3/8" F	R3/8" M	7	26	45	46	29	27	9	6	22	280 g

Part No.	G1 (F)	G2 (M cylindric)	NW	H	L1	L2	L3	L4	L5	L6	SW	Weight
40.002	G1/4" F	G1/4" M	7	26	45	46	29	27	11	6	22	280 g
40.009*	G1/4" F	G1/4" M	7	26	45	46	29	27	11	6	22	270 g
40.012	G3/8" F	G1/4" M	7	26	45	46	29	27	11	6	22	270 g

\* 275 bar / 120°C / without snap ring, for Mosmatic ceiling boom

Part No.	G1 (F)	G2 (M conical)	NW	H	L1	L2	L3	L4	L5	L6	SW	Weight
40.101	G1/4" F	R3/8" M	10	32	45	53	29	30	9	7	24	340 g
40.111	G3/8" F	R3/8" M	10	32	45	53	29	30	9	7	24	320 g

Part No.	G1 (F)	G2 (M cylindric)	NW	H	L1	L2	L3	L4	L5	L6	SW	Weight
40.102	G1/4" F	G3/8" M	10	32	45	53	29	30	11	7	24	330 g
40.112	G3/8" F	G3/8" M	10	32	45	53	29	30	11	7	24	320 g

Part No.	G1 (F)	G2 (M conical)	NW	H	L1	L2	L3	L4	L5	L6	SW	Weight
40.201	G3/8" F	R1/2" M	13	40	45	63	29	36	11	7	24	350 g
40.211	G1/2" F	R1/2" M	13	40	45	63	29	36	11	7	24	380 g

40.502	Seal kit NW 7
40.503	Seal kit NW 10+13

### Legend

M., = metric thrust, ..M = male, F = female, G = gas pipe thrust, R = gas pipe thrust conical, QV = quick connects  
SV = profile ring fitting, D = diameter, L = length, NW = nominal width, SW = wrench size

### Additional Seal Options available

EPDM (E) or FKM/Viton (V). Please indicate letter of seal material after part number.  
Minimum orders apply.