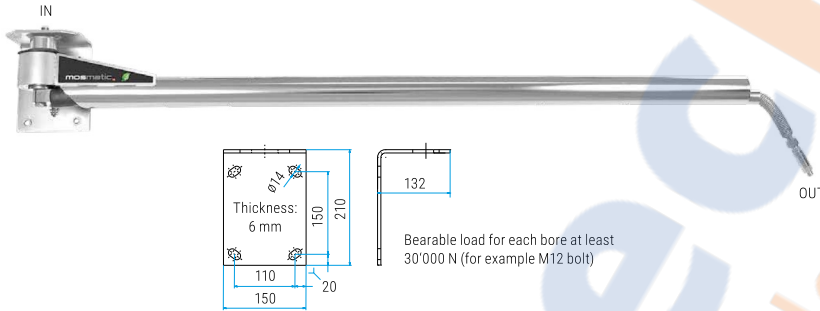


- ✓ 180° smooth rotation
- ✓ Insulated HP-hose
- ✓ Multiple industry application

Wall-mounted booms are ideal for outdoor areas or in wash bays where ceiling mounts are not an option. The wall bracket is designed for the boom to return to the resting position you selected.

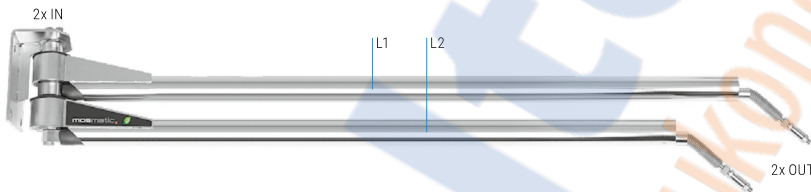


WAE (with HP-hose)

Part No.	L	Weight
68.502	1450	10.2 kg
68.512	1600	10.9 kg
68.522	1750	11.6 kg
68.532	1900	12.3 kg
68.542	2050	13.0 kg
68.552	2250	13.7 kg
68.562	2500	14.9 kg
68.572	2750	16.1 kg
68.582	3000	17.3 kg

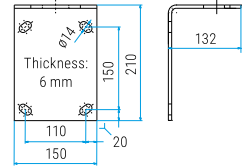
WAE (with pipe)

Part No.	L	Weight
68.301	1450	10.0 kg
68.302	1600	10.7 kg
68.303	1750	11.4 kg
68.304	1900	12.1 kg
68.305	2050	12.8 kg
68.306	2250	13.4 kg
68.307	2500	14.6 kg
68.308	2750	15.8 kg
68.309	3000	17.0 kg



WAD

Part No.	L1	L2	Weight
61.402	1600	1450	19.1 kg
61.412	1750	1600	19.9 kg
61.422	1900	1750	20.7 kg
61.432	2050	1900	21.5 kg
61.442	2250	2050	22.4 kg
61.452	2500	2250	23.6 kg



Bearable load for each bore at least 30'000 N (for example M12 bolt)

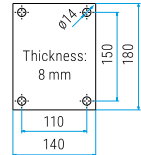
When using high and low pressure, use upper boom for low pressure.



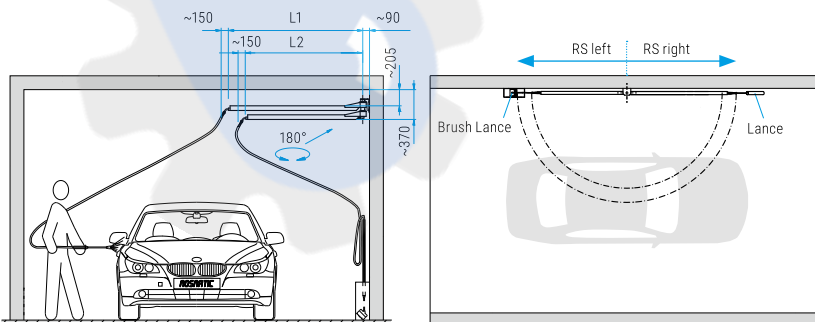
Wall-Boom available with choice of park positions. w/o (neutral), left or right.

WAN (with pipe)

Part No.	L	RS	Weight
60.001	2000	left	8.6 kg
60.002	2000	without	8.6 kg
60.003	2000	right	8.6 kg
60.021	2500	left	11.3 kg
60.022	2500	without	11.3 kg
60.023	2500	right	11.3 kg



Bearable load for each bore at least 30'000 N (for example M12 bolt)



TECHNICAL DATA

Pressure	275 bar (27.5 MPa)
Temperature	120°C
Inlet (top & side)	G1/4" F (other options available)
Outlet	G1/4" M (other options available)
Throughput medium	water, oil, air at pH 3-12

environmentally friendly products

Legend

M., = metric thrust, ..M = male, F = female, G = gas pipe thrust, R = gas pipe thrust conical, QV = quick connects, SV = profile ring fitting
D = diameter, L = length, NW = nominal width, SW = wrench size, IN = media input, OUT = media output, RS = basic position