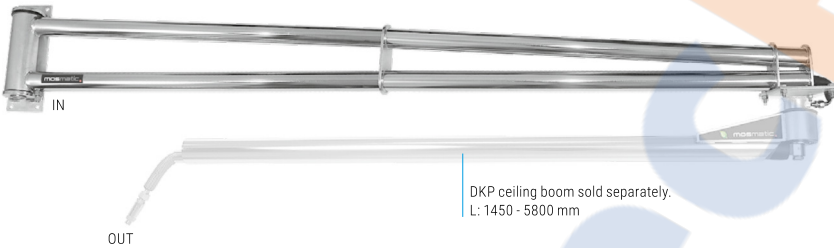


- ✓ Smooth, comfortable operation
- ✓ Extended work radius
- ✓ Solid construction

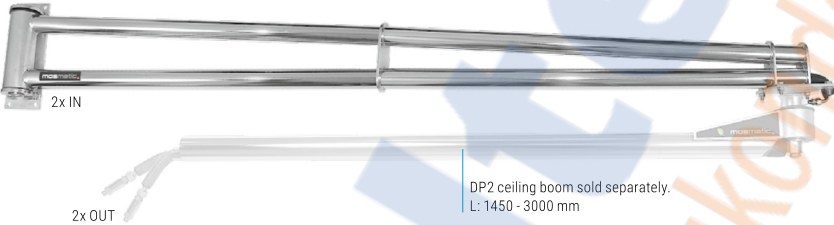
Whenever extended lengths and maximum flexibility are required, the wall-boom-extension is perfect for the job. Prime examples are truck wash bays, mining facilities, air craft maintenance and manufacturing plants. When combined correctly, a working radius of 12 meters is possible.



### WSA (1 inner pipe = 1 inlet)

Part No.	B	L max.	Weight
60.522	2000	1900	24.0 kg
60.532	2500	2250	25.5 kg
60.542	3000	2750	28.6 kg
60.983	4500	3000	51.8 kg
60.930	6000	6000	57.8 kg

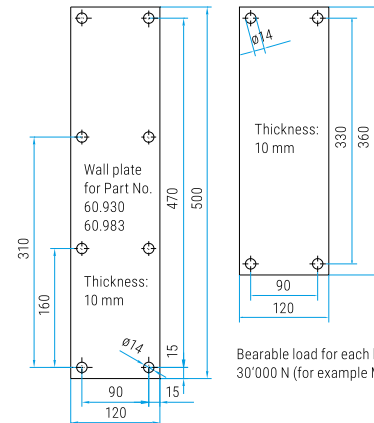
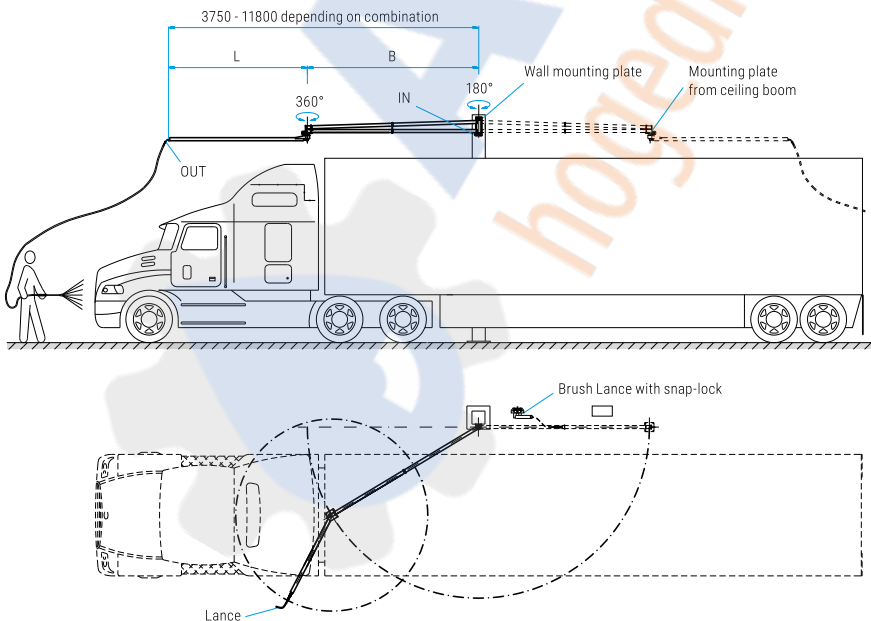
Add ceiling boom: DKP



### WSA-2R (2 inner pipes = 2 inlets)

Part No.	B	L max.	Weight
60.910	2000	1900	24.8 kg
60.911	2500	2250	27.3 kg
60.912	3000	2750	29.8 kg

Add ceiling boom: DP2



### TECHNICAL DATA

Pressure	275 bar (27.5 MPa)
Temperature	120°C
Inlet (bottom)	G1/4" F (other options available)
Outlet	G1/4" M (other options available)
Throughput medium	water, oil, air at pH 3-12

#### Legend

M.. = metric thrust, ..M = male, F = female, G = gas pipe thrust, R = gas pipe thrust conical, QV = quick connects, SV = profile ring fitting  
D = diameter, L = length, NW = nominal width, SW = wrench size, IN = media input, OUT = media output, RS = basic position