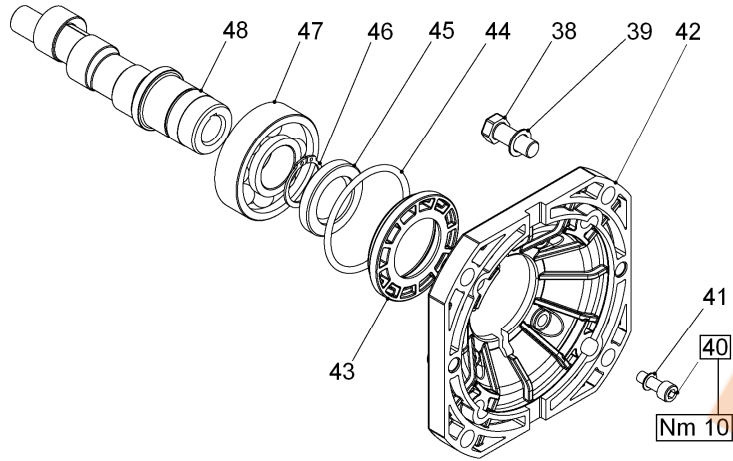


VERSION A (for electric motors NEMA 56 C)

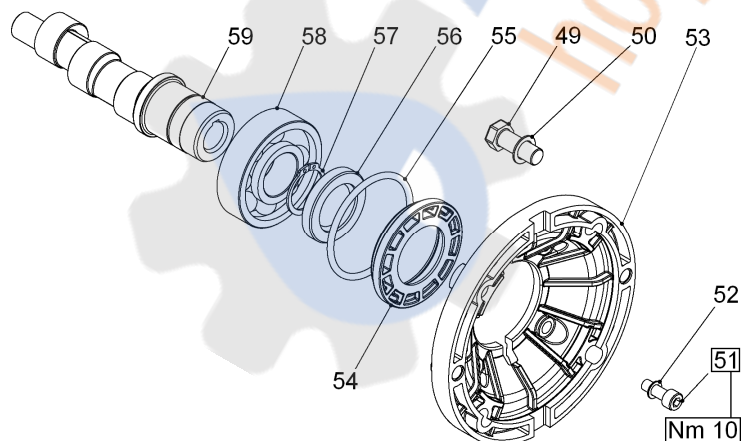
**W905 – WW906 – WW907
T9051 – TT9061 – TT9071
T1209 – T1212 – T1508**



| POS | COD. | DESCRIZIONE - DESCRIPTION | NR |
|-----|------------------------------------------------------|----------------------------------------------------------------------------------------------------------------------------|----|
| 38 | 99.3345.00 | Vite 3/8"x16 | 4 |
| 39 | 96.7104.00 | Rosetta Ø 10,5x16x1 | 4 |
| 40 | 99.1867.00 | Vite M6x18 UNI 5931 | 4 |
| 41 | 96.6938.00 | Rosetta Ø 6.4x10x0.7 | 4 |
| 42 | 10.0344.22 | Flangia per motore elettrico | 1 |
| 43 | 50.2115.51 | Distanziale | 1 |
| 44 | 90.4097.00 | OR Ø 55.56x3.53 (159) | 1 |
| 45 | 90.1644.00 | Anello rad. Ø 30x42x7 | 1 |
| 46 | 90.0667.00 | Anello di fermo albero Ø 30 | 1 |
| 47 | 91.8373.00 | Cuscinetto a sfere 6206 | 1 |
| 48 | 51.0208.65 51.0209.65 51.0215.65 51.0225.65 | Albero C.5 – WW906 TT9061 Albero C.6 – WW907 TT9071 Albero C.9.4 – W905 T9051 T1212 T1508 Albero C.7.2 – T1209 | 1 |

VERSION B (for electric motors IEC 90 B14)

**WW55 – WW56 – WW74 – WW75
WW90 – WW93 – WW94 – WW95
W1208 – W1210 – W1507 – WW1508
WW1510 – WW1511 – WW1513 - TT551
TT561 – TT741 – TT751 – TT901 – TT931
TT941 – TT951**



| POS | COD. | DESCRIZIONE - DESCRIPTION | NR |
|-----|------------------------------------------------------|--------------------------------------------------------------------------------------------------------------------------------------------------------------------------------------------------------------------|----|
| 49 | 99.3067.00 | Vite M8x25 UNI 5739 | 4 |
| 50 | 96.7014.00 | Rosetta Ø 8.4x13x0.8 | 4 |
| 51 | 99.1867.00 | Vite M6x18 UNI 5931 | 4 |
| 52 | 96.6938.00 | Rosetta Ø 6.4x10x0.7 | 4 |
| 53 | 10.0345.22 | Flangia per motore elettrico | 1 |
| 54 | 50.2115.51 | Distanziale | 1 |
| 55 | 90.4097.00 | OR Ø 55.56x3.53 (159) | 1 |
| 56 | 90.1644.00 | Anello rad. Ø 30x42x7 | 1 |
| 57 | 90.0667.00 | Anello di fermo Ø 30 | 1 |
| 58 | 91.8373.00 | Cuscinetto a sfere 6206 | 1 |
| 59 | 51.0212.65 51.0213.65 51.0214.65 51.0216.65 | Albero C.6 – WW55 WW74 WW90 TT551 TT741 TT901 WW1508 Albero C.8 – WW56 WW75 WW93 TT561 TT751 TT631 WW1511 Albero C.9.4 – WW94 TT941 W1210 W1507 WW1513 Albero C.7.2 – WW95 TT951 W1208 WW1510 | 1 |