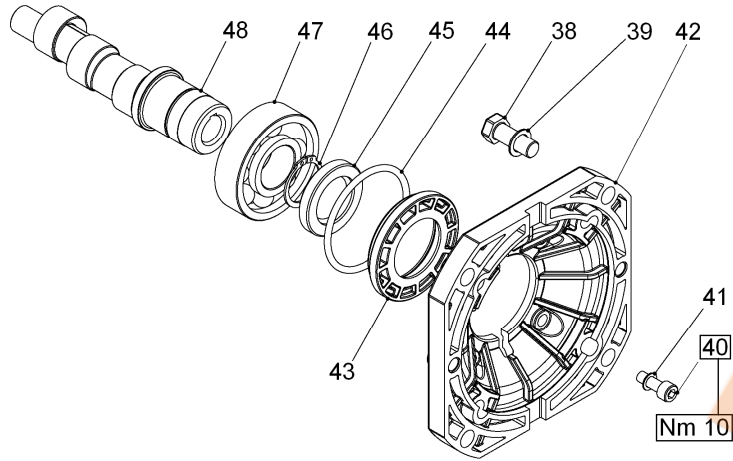


VERSION A (for electric motors NEMA 56 C)

**W905 – WW906 – WW907
T9051 – TT9061 – TT9071
T1209 – T1212 – T1508**

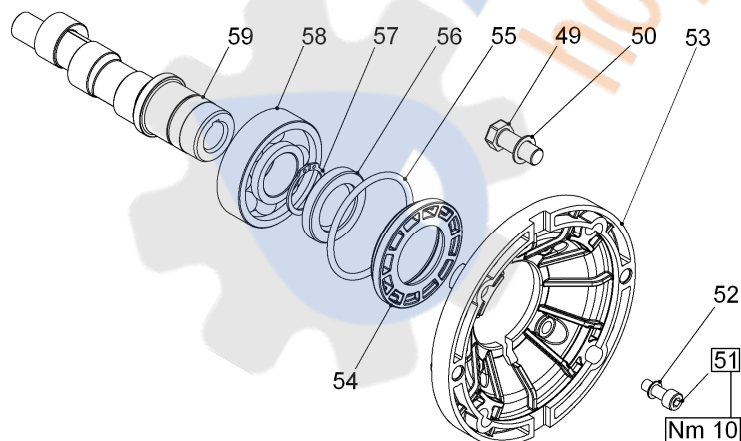


DIS. COD. 51.9517.00

POS	COD.	DESCRIZIONE - DESCRIPTION	NR
38	99.3345.00	Vite 3/8"x16	4
39	96.7104.00	Rosetta Ø 10,5x16x1	4
40	99.1867.00	Vite M6x18 UNI 5931	4
41	96.6938.00	Rosetta Ø 6.4x10x0.7	4
42	10.0344.22	Flangia per motore elettrico	1
43	50.2115.51	Distanziale	1
44	90.4097.00	OR Ø 55.56x3.53 (159)	1
45	90.1644.00	Anello rad. Ø 30x42x7	1
46	90.0667.00	Anello di fermo albero Ø 30	1
47	91.8373.00	Cuscinetto a sfere 6206	1
48	51.0208.65 51.0209.65 51.0215.65 51.0225.65	Albero C.5 – WW906 TT9061 Albero C.6 – WW907 TT9071 Albero C.9.4 – W905 T9051 T1212 T1508 Albero C.7.2 – T1209	1

VERSION B (for electric motors IEC 90 B14)

**WW55 – WW56 – WW74 – WW75
WW90 – WW93 – WW94 – WW95
W1208 – W1210 – W1507 – WW1508
WW1510 – WW1511 – WW1513 - TT551
TT561 – TT741 – TT751 – TT901 – TT931
TT941 – TT951**



DIS. COD. 51.9518.00

POS	COD.	DESCRIZIONE - DESCRIPTION	NR
49	99.3067.00	Vite M8x25 UNI 5739	4
50	96.7014.00	Rosetta Ø 8.4x13x0.8	4
51	99.1867.00	Vite M6x18 UNI 5931	4
52	96.6938.00	Rosetta Ø 6.4x10x0.7	4
53	10.0345.22	Flangia per motore elettrico	1
54	50.2115.51	Distanziale	1
55	90.4097.00	OR Ø 55.56x3.53 (159)	1
56	90.1644.00	Anello rad. Ø 30x42x7	1
57	90.0667.00	Anello di fermo Ø 30	1
58	91.8373.00	Cuscinetto a sfere 6206	1
59	51.0212.65 51.0213.65 51.0214.65 51.0216.65	Albero C.6 – WW55 WW74 WW90 TT551 TT741 TT901 WW1508 Albero C.8 – WW56 WW75 WW93 TT561 TT751 TT631 WW1511 Albero C.9.4 – WW94 TT941 W1210 W1507 WW1513 Albero C.7.2 – WW95 TT951 W1208 WW1510	1