

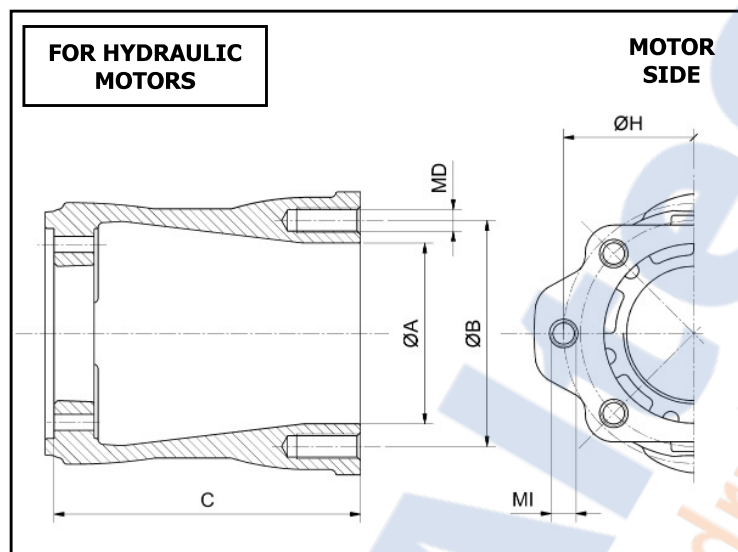
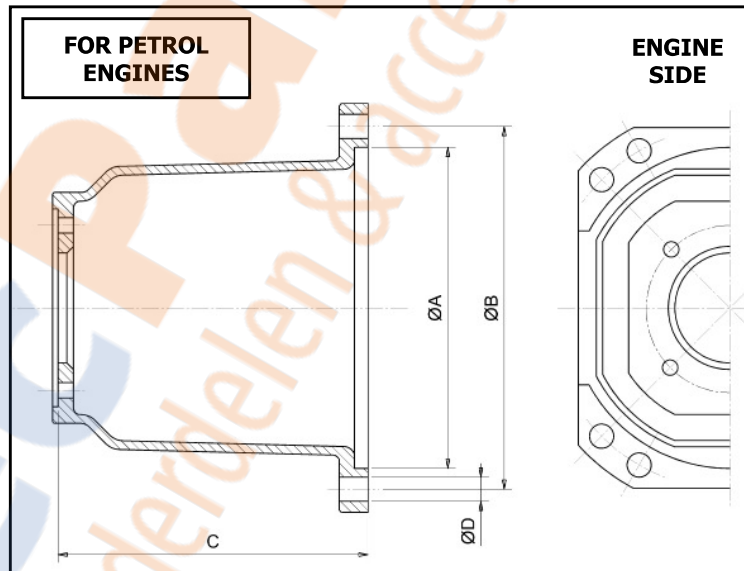
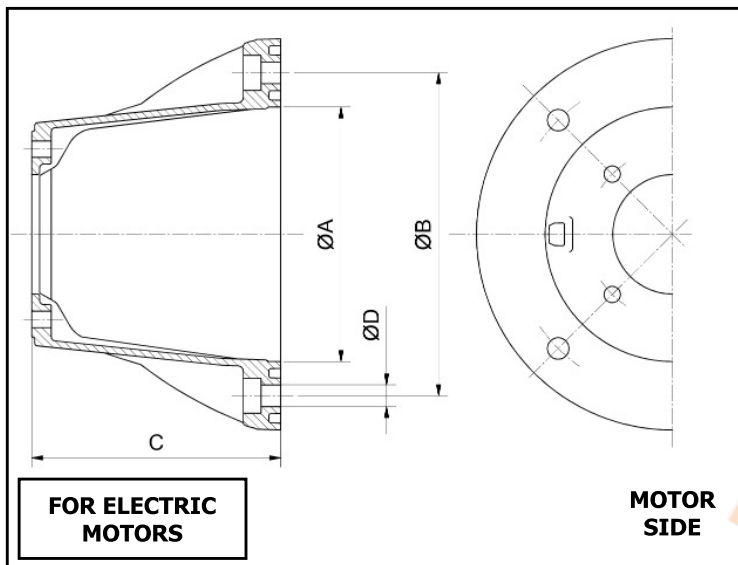
PUMP-MOTOR DRIVE FLANGES

DIMENSION CHART

COD.

Data emissione:
Preparato da:
Controllato
Data :

Rev : 1 2/2



		ØA	ØB	C	D	ØH	I
ELECTRIC	ZF044	110	130 – 115	110	4xØ9	-	-
	ZF070	95	130 – 115	101	4xØ9	-	-
	ZF071	70	100 – 75	92.5	4xØ7	-	-
	ZF080	80	100 – 75	92.5	4xØ7	-	-
	ZF091	110	130 – 115	101	4xØ9	-	-
	ZF132	130	165	127	4xØ11	-	-
	ZF151	110	130	110	4xØ9	-	-
	ZF56145	114.5	149.2	97	4xØ10.2	-	-
PETROL	ZFONDA18	146	165	141	8xØ11	-	-
HYD	ZFH47SB	101.6	-	94	-	146	2xM14