



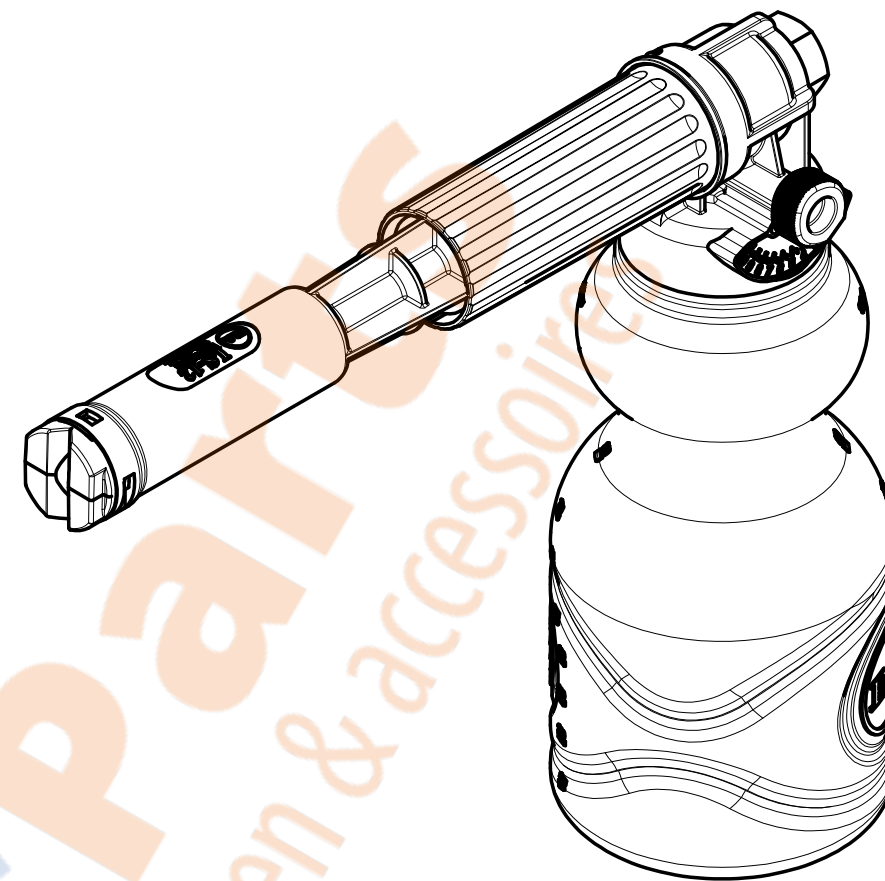
**E** QUIPAGGIAMENTI  
**T** ECNICI  
**L** AVAGGIO

**25.1840.65**  
**LANCIA SCHIUMA LS 12 - UGELLO ø1.5**  
**FOAM LANCE WITH TANK LS12**

30/06/2015

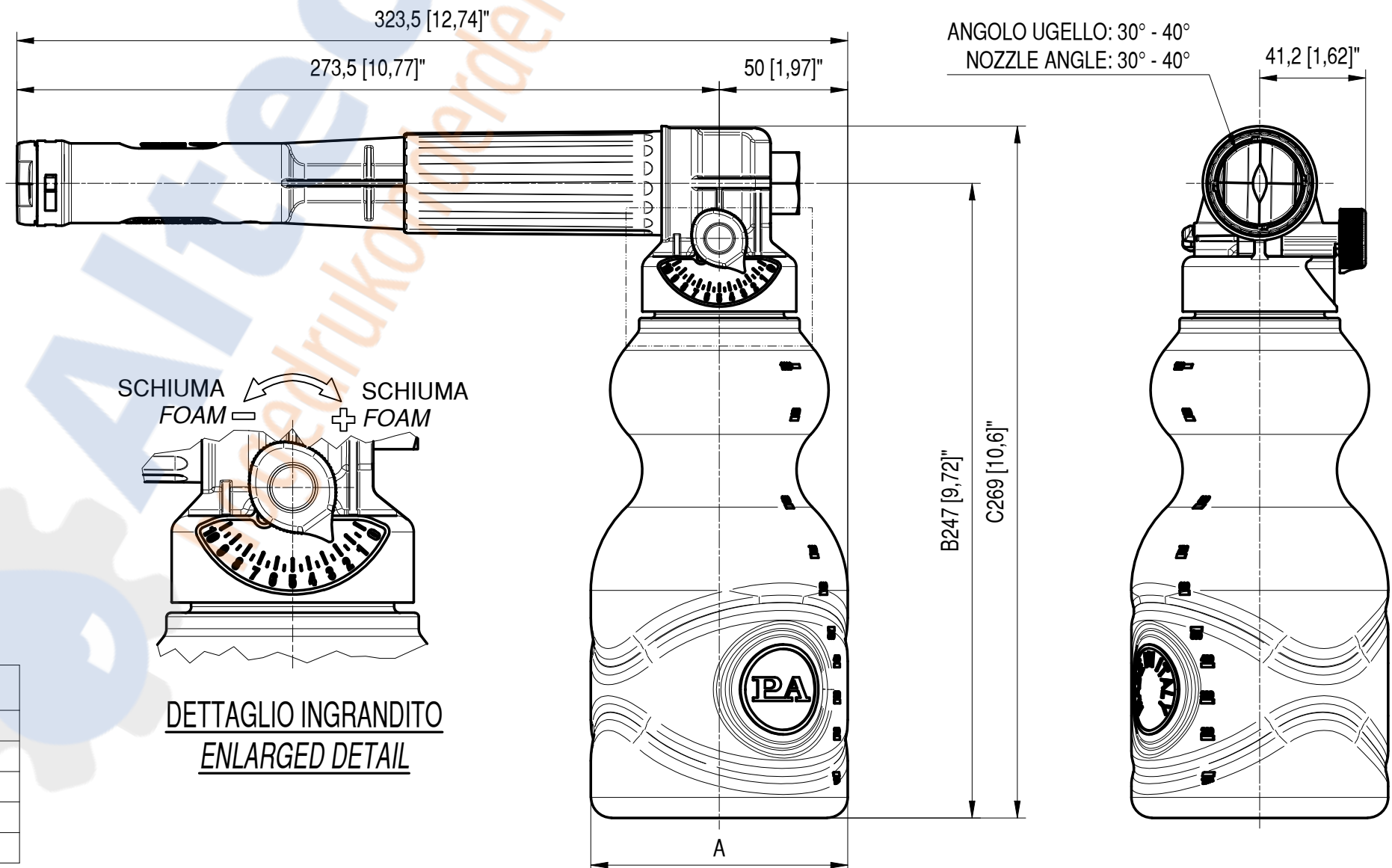
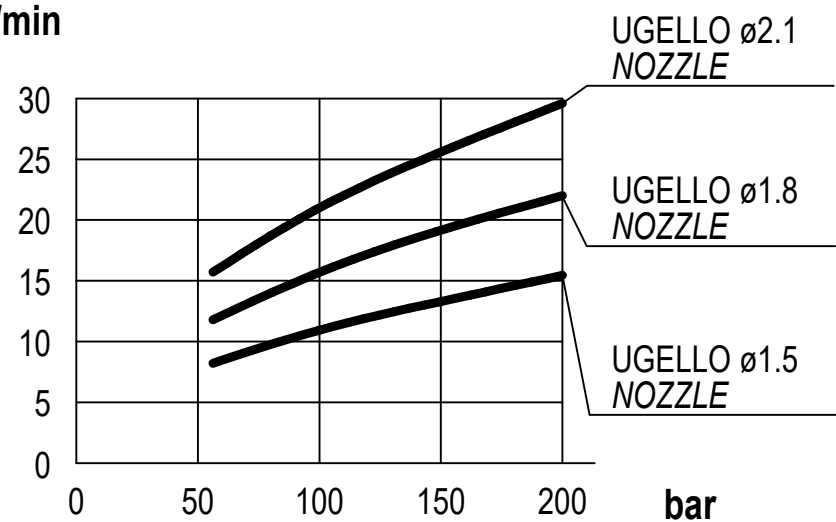
**CARATTERISTICHE TECNICHE - SPECIFICATIONS**

- <b>PRESSIONE NOMINALE</b> RATED PRESSURE	200 bar - 20 MPa (2900 psi)
- <b>PRESSIONE CONSENTITA</b> PERMISSIBLE PRESSURE	220 bar - 22 MPa (3200 psi)
- <b>PORTATA MASSIMA</b> MAX FLOW RATE	VEDI DIAGRAMMA SEE CHART BELOW
- <b>TEMPERATURA MASSIMA</b> MAX WORKING TEMPERATURE	60 °C (140 °F)
- <b>UGELLO</b> NOZZLE	ø1.5 (0.06") ø1.8 (0.07") ø2.1 (0.08")
- <b>CAPACITA' SERBATOIO</b> TANK VOLUME	Litri 1 (0.264 USG) Litri 2 (0.528 USG)



**MISURE D'INGOMBRO - OVERALL DIMENSIONS**

l/min



CODICE	UGELLO	A	B	C
25.1840.65	ø1.5 [0.06"]	ø100 [3.94"]	247 [9.72"]	269 [10.6"]
25.1840.68	1.8 [0.07"]	ø100 [3.94"]	247 [9.72"]	269 [10.6"]
25.1840.71	ø2.1 [0.08"]	ø100 [3.94"]	247 [9.72"]	269 [10.6"]
25.1842.65	ø1.5 [0.06"]	ø122 [4.80"]	303 [11.93"]	325 [12.8"]
25.1843.65	ø1.5 [0.06"]	ø122 [4.80"]	303 [11.93"]	325 [12.8"]

**DETTAGLIO INGRANDITO**  
**ENLARGED DETAIL**