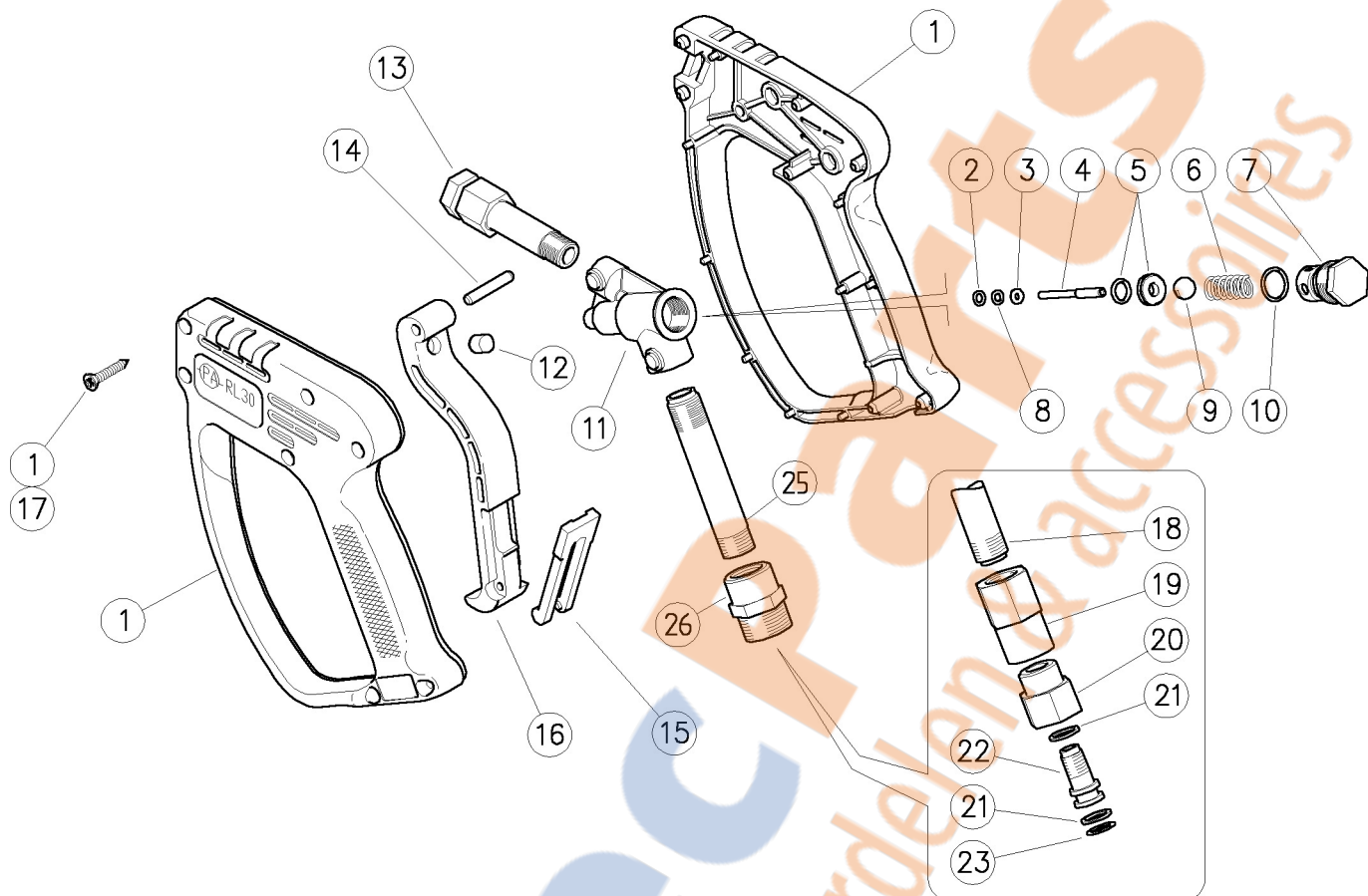


30.2500.00 RL30 spr.gun 3/8F-1/4F Bsp  
 30.2500.20 RL30 spr.gun A M22-1/4F Bsp  
 30.2500.30 RL30 spr.gun 3/8M-1/4F Bsp  
 30.2500.50 RL30 spr.gun 3/8F-1/4F Npt

30.2511.00 RL30 spr.gun+sw.6 3/8F-1/4F Bsp  
 30.2511.20 RL30 spr.gun+sw.6 A M22-1/4F Bsp  
 30.2515.00 RL30 spr.gun 3/8F-1/4F Bsp+ceram.ball



Pos.	P/N	Description	Q.ty	K1	K2	K3	K4
1	30.2501.24	Casing-kit -RL30 +screws, Sst.	1				1
2	10.4018.00R	Back-up ring, 3,2x7,5x1,2 mm	1	•	•	•	•
3	14.3511.00R	Washer, 3,2x7x0,5 mm sst.	1				10
4	30.2516.51R	Piston, 3 mm Sst.	1	•	•	•	•
5	30.1708.20R	Seat, 6mm Sst.+O-ring 1,78mm NBR85	1	•	•		•
5	30.0716.20R	Weep.seat,5,8mm+O-ring (l.1,1)	1		•		•
6	30.2596.51R	Spring, 1,5x6,1x23 mm Sst.	1				10
7	30.2595.31R	Spring plug, M16x1 brass	1				10
8	10.3165.00R	O-ring, 2,62x2,84 mm Vi 70	1	•	•	•	•
9	14.7448.00R	Ball, 5/16" Sst.	1	•	•	•	•
9	14.7448.78R	Ball, 5/16" ceramics (1)	1				•
10	10.3020.02R	O-ring, 1,5x10 mm Ni 85	1	•	•	•	•
11	30.2597.35R	Housing -RL30, brass	1				5
12	30.0675.84R	Stop pin, 8x7,1mm PA	1				10
13	30.2006.35R	Front tube, 1/4F Bsp 72 mm brass	1				5
13	30.2008.35R	Front tube, 1/4F Npt 72 mm brass (2)	1				10
14	30.2517.31R	Parallel pin, 5x27,5 mm brass	1				10

Pos.	P/N	Description	Q.ty	K1	K2	K3	K4
15	30.1510.84R	Safety latch, PA red	1				10
15	30.1515.84R	Safety latch, PA blue	1				10
15	30.1516.84R	Safety latch, black (1)	1				10
16	30.2506.84R	Trigger -RL31, PA black	1				10
17	16.3077.00R	S/tapping screw, DIN7981 3,5x18 mm	7				10
18	30.2547.36R	Tube, M15 MM 103mm brass (3)	1				5
19	30.2546.31R	Adapt., M15F-M10x1F brass (3)	1				5
20	30.2019.31R	Coupl., 3/8F Bsp brass (3)	1				5
20	30.2015.31R	Swivel connection A M22 M	1				3
21	10.4010.01R	Back-up ring,10,2x13,9x1,2mm (4)	2	•			50
22	30.2017.51R	Pin, SW M10x1 M Sst. (3)	1				5
23	10.3129.50R	O-ring, 2,5x9,5 mm Vi 70 (3)	1	•			10
25	30.1011.36R	Tube, M15 127 mm brass	1				5
26	30.2523.31R	Coupl., 3/8 Bsp F brass	1				5
26	30.2525.31R	Coupl., A M22x1,5 brass (5)	1				5
26	30.2524.31R	Coupl., 3/8M Bsp brass (6)	1				5
26	30.1012.31R	Coupl., 3/8 Npt F brass (2)	1				3

Kit	P/N	Description	Q.ty
K1	30.2559.24	Spares kit -RL30, 6(7)x1pcs.	1
K2	30.2519.24	Spares kit -RL30, 8(9)x1pcs.	1
K3	30.2545.24	Spares kit -RL30, 6(7)x1pcs.	1
K4	30.2563.24	Spares kit -RL30+ceram.ball, 6(7)x1pcs.	1

(1) 30.2515.00 (2) 30.2500.50 (3) 30.2511.00 (4) 30.2511.20 (5) 30.2500.20 (6) 30.2500.30