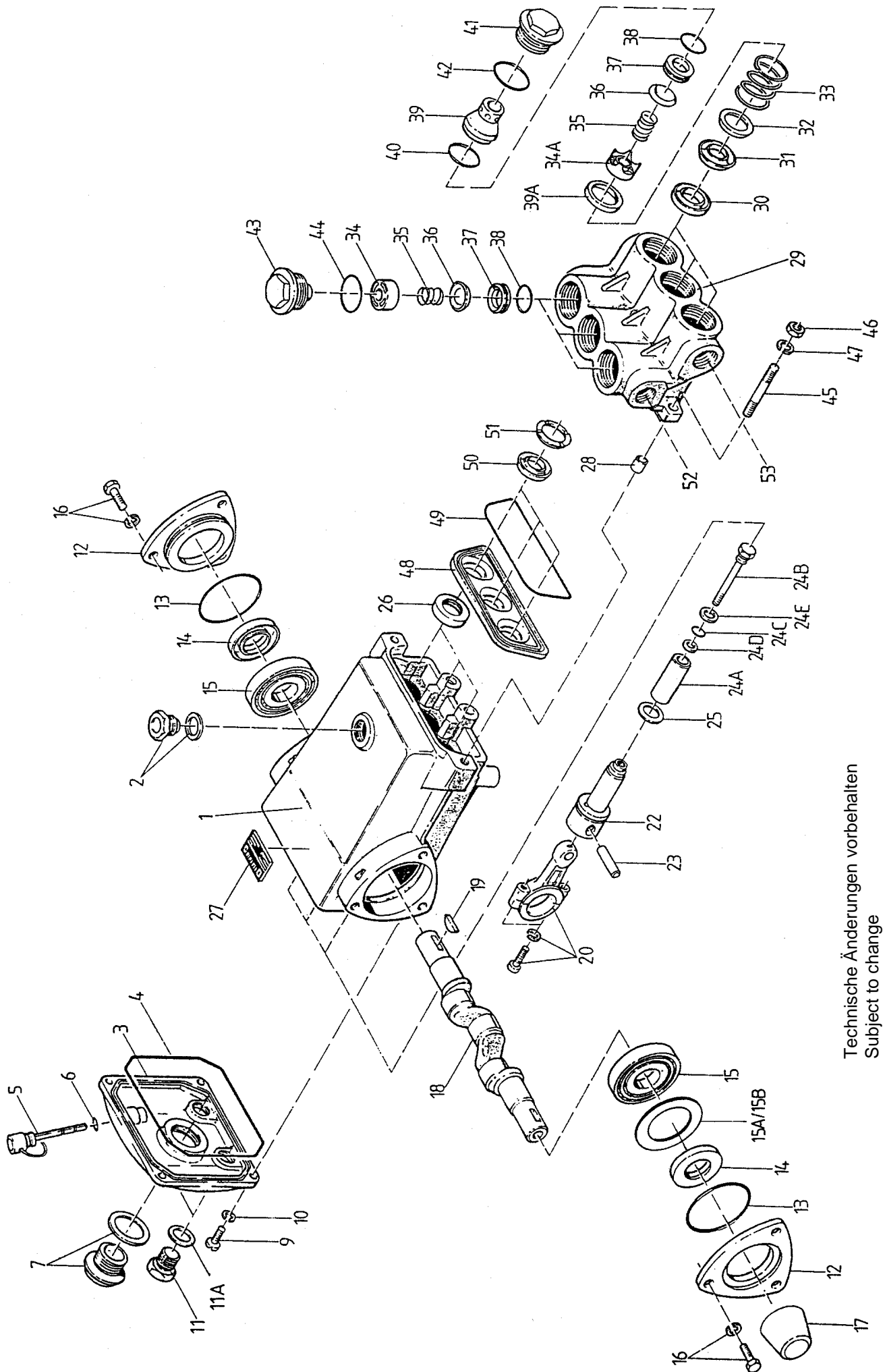


**Ersatzteilverzeichnis** P31/25-220  
**Spare Parts List** P30/36-150  
P30/43-130

**Best.-Nr.: 00.0559**  
**Code Nr. 00.0741**  
**00.0742**

| Lfd. Nr.<br>Item No. | Stückzahl<br>No. Off | Best.-Nr.<br>Code No. | Benennung                           | Description                            |
|----------------------|----------------------|-----------------------|-------------------------------------|--|
| 1                    | 1                    | 01.0255               | Antriebsgehäuse                     | Crankcase                              |
| 2                    | 1                    | 00.2431               | Olauffüllstopfen kpl.               | Oil Filler Plug Assy                   |
| 3                    | 1                    | 03.0162               | Getriebedeckel                      | Crankcase Cover                        |
| 4                    | 1                    | 06.0286               | O-Ring zu 3                         | O-Ring for 3                           |
| 5                    | 1                    | 00.0564               | Olmeßstab kpl.                      | Oil Dipstick Assy                      |
| 6                    | 1                    | 06.0053               | O-Ring zu 5                         | O-Ring for 5                           |
| 7                    | 1                    | 00.2416               | Ölschäuglas                         | Oil Sight Glass                        |
| 9                    | 4                    | 21.0026               | Zylinderschraube                    | Cylinder Screw                         |
| 10                   | 4                    | 07.2994               | Federring                           | Spring Ring                            |
| 11                   | 2                    | 07.0705               | Stopfen G1/2                        | Plug G1/2                              |
| 11A                  | 2                    | 06.0282               | Dichtung                            | Seal                                   |
| 12                   | 2                    | 03.0163               | Lagerdeckel                         | Bearing Cover                          |
| 13                   | 2                    | 06.0288               | O-Ring                              | O-Ring                                 |
| 14                   | 2                    | 06.0287               | Radialwellendichtring               | Radial Shaft Seal                      |
| 15                   | 2                    | 05.0100               | Zylinderrollenlager                 | Roller Bearing                         |
| 15A                  | 1                    | 07.1961               | Paßscheibe                          | Fitting Disc                           |
| 15B                  | 1                    | 07.0859               | Paßscheibe                          | Fitting Disc                           |
| 16                   | 6                    | 21.0034               | Sechskantschraube                   | Hexagon Screw                          |
| 17                   | 1                    | 07.4600               | Wellenschutz                        | Shaft Protector                        |
| 18                   | 1                    | 11.0258               | Kurbelwelle                         | Crankshaft                             |
| 19                   | 1                    | 07.0861               | Scheibenfeder                       | Woodruff Key                           |
| 20                   | 3                    | 00.3288               | Gleitlagerpleuel kpl.               | Connecting Rod Assy                    |
| 22                   | 3                    | 00.0596               | Kreuzkopf kpl.                      | Crosshead Assy                         |
| 23                   | 3                    | 11.0259               | Kreuzkopfbolzen                     | Crosshead Pin                          |
| 24A                  | 3                    | 11.0269               | Plungerrohr (P31/25)                | Plunger Pipe (P31/25)                  |
| 24A                  | 3                    | 11.0271               | Plungerrohr (P30/36)                | Plunger Pipe (P30/36)                  |
| 24A                  | 3                    | 11.0272               | Plungerrohr (P30/43)                | Plunger Pipe (P30/43)                  |
| 24B                  | 3                    | 21.0338               | Spannschraube                       | Tension Screw                          |
| 24C                  | 3                    | 06.0113               | O-Ring                              | O-Ring                                 |
| 24D                  | 3                    | 06.0114               | Stützring                           | Support Ring                           |
| 24E                  | 3                    | 06.0275               | Cu-Dichtring                        | Copper Ring                            |
| 25                   | 3                    | 07.4354               | Olabstreifer                        | Oil Scraper                            |
| 26                   | 3                    | 06.0290               | Radialwellendichtring               | Radial Shaft Seal                      |
| 28                   | 2                    | 07.0874               | Zentrierhülse                       | Seal Retainer                          |
| 29                   | 1                    | 01.0272               | Ventilgehäuse (P30/36, P30/43)      | Valve Casing (P30/36, P30/43)          |
| 29                   | 1                    | 01.0424               | Ventilgehäuse (P31/25)              | Valve Casing (P31/25)                  |
| 30                   | 3                    | 07.0921               | Druckring (P31/25)                  | Pressure Ring (P31/25)                 |
| 30                   | 3                    | 07.0923               | Druckring (P30/36)                  | Pressure Ring (P30/36)                 |
| 30                   | 3                    | 07.0924               | Druckring (P30/43)                  | Pressure Ring (P30/43)                 |
| •31                  | 3                    | 06.0295               | Manschette (P31/25)                 | Sleeve (P31/25)                        |
| o31                  | 3                    | 06.0297               | Manschette (P30/36)                 | Sleeve (P30/36)                        |
| +31                  | 3                    | 06.0298               | Manschette (P30/43)                 | Sleeve (P30/43)                        |
| 32                   | 3                    | 07.0927               | Manschettenstützring (P31/25)       | Sleeve Support Ring (P31/25)           |
| 32                   | 3                    | 07.0929               | Manschettenstützring (P30/36)       | Sleeve Support Ring (P30/36)           |
| 32                   | 3                    | 07.0930               | Manschettenstützring (P30/43)       | Sleeve Support Ring (P30/43)           |
| 33                   | 3                    | 07.0933               | Druckfeder (P31/25)                 | Pressure Spring (P31/25)               |
| 33                   | 3                    | 07.0918               | Druckfeder (P30/36, P30/43)         | Pressure Spring (P30/36, P30/43)       |
| ••34                 | 3                    | 07.0956               | Federspannschale Druck              | Spring Tension Cap for Pressure        |
| ••34A                | 3                    | 07.1990               | Federspannschale Saug               | Spring Tension Cap for Suction         |
| ••35                 | 6                    | 07.2147               | Ventilfeder                         | Valve Spring                           |
| ••36                 | 6                    | 07.0957               | Ventilplatte                        | Valve Plate                            |
| ••37                 | 6                    | 07.0292               | Ventilsitz                          | Valve Seat                             |
| ••38                 | 6                    | 06.0067               | O-Ring                              | O-Ring                                 |
| 39                   | 3                    | 07.1444               | Saugventilaufnahme (P31/25)         | Suction Valve Adaptor (P31/25)         |
| 39                   | 3                    | 07.0915               | Saugventilaufnahme (P30/36, P30/43) | Suction Valve Adaptor (P30/36, P30/43) |
| 39A                  | 3                    | 07.0916               | Distanzring                         | Spacer Ring                            |
| •o+40                | 3                    | 06.0255               | O-Ring                              | O-Ring                                 |
| 41                   | 3                    | 07.0912               | Stopfen M36x1.5                     | Plug M36x1.5                           |
| •o+42                | 3                    | 06.0285               | O-Ring                              | O-Ring                                 |
| 43                   | 3                    | 07.2849               | Stopfen G3/4 (P31/25)               | Plug G3/4 (P31/25)                     |
| 43                   | 3                    | 07.0814               | Stopfen M30x1.5 (P30/36, P30/43)    | Plug G3/4 (P30/36, P30/43)             |
| o+44                 | 3                    | 06.0251               | O-Ring (P30/36, P30/43)             | O-Ring (P30/36, P30/43)                |
| •44                  | 3                    | 06.0496               | O-Ring (P31/25)                     | O-Ring (P31/25)                        |
| 45                   | 4                    | 21.0074               | Stiftschraube                       | Stud Bolt                              |
| 46                   | 4                    | 07.0988               | Sechskantmutter                     | Hexagon Nut                            |
| 47                   | 4                    | 07.2707               | Scheibe                             | Disc                                   |
| 48                   | 1                    | 01.0262               | Zwischengehäuse (P31/25)            | Intermediate Casing (P31/25)           |
| 48                   | 1                    | 01.0264               | Zwischengehäuse (P30/36)            | Intermediate Casing (P30/36)           |
| 48                   | 1                    | 01.0265               | Zwischengehäuse (P30/43)            | Intermediate Casing (P30/43)           |
| •o+49                | 1                    | 06.0304               | O-Ring                              | O-Ring                                 |
| •50                  | 3                    | 06.0112               | Manschette (P31/25)                 | Sleeve (P31/25)                        |
| o50                  | 3                    | 06.0301               | Manschette (P30/36)                 | Sleeve (P30/36)                        |
| +50                  | 3                    | 06.0298               | Manschette (P30/43)                 | Sleeve (P30/43)                        |
| 51                   | 3                    | 07.1432               | Stützring (P31/25)                  | Support Ring (P31/25)                  |
| 51                   | 3                    | 07.0959               | Stützring (P30/36)                  | Support Ring (P30/36)                  |
| 51                   | 3                    | 07.0960               | Stützring (P30/43)                  | Support Ring (P30/43)                  |
| 52                   | 1                    | 07.0705               | Stopfen G1/2                        | Plug G1/2                              |
| 53                   | 1                    | 07.1001               | Stopfen G3/4                        | Plug G3/4                              |
|                      | 1                    | 00.1982               | Antrieb kpl. (P31/25)               | Gear Assy (P31/25)                     |
|                      | 1                    | 00.1984               | Antrieb kpl. (P30/36)               | Gear Assy (P30/36)                     |
|                      | 1                    | 00.1985               | Antrieb kpl. (P30/43)               | Gear Assy (P30/43)                     |
|                      | 1                    | 00.0794               | Pumpenkopf kpl. (P31/25)            | Pump Head Assy (P31/25)                |
|                      | 1                    | 00.0792               | Pumpenkopf kpl. (P30/36)            | Pump Head Assy (P30/36)                |
|                      | 1                    | 00.0793               | Pumpenkopf kpl. (P30/43)            | Pump Head Assy (P30/43)                |
| •                    | 1                    | 14.0038               | Rep. Satz Dichtungen (P31/25)       | Seal Repair Kit (P31/25)               |
| o                    | 1                    | 14.0040               | Rep. Satz Dichtungen (P30/36)       | Seal Repair Kit (P30/36)               |
| +                    | 1                    | 14.0041               | Rep. Satz Dichtungen (P30/43)       | Seal Repair Kit (P30/43)               |
| ••                   | 1                    | 14.0037               | Rep. Satz Ventile                   | Valve Repair Kit                       |

Bei Bestellung von Ersatzteilen bitte Bestell-Nr., Pumpen-Nr. und -type angeben  
When ordering please state Code No., Pump Model and Pump Serial No.



Technische Änderungen vorbehalten  
 Subject to change

**P30 / P31**