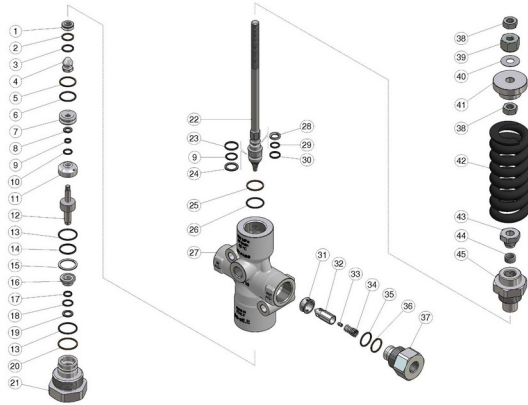


60.2900.00 VB40/1000 Zero Unload.-flow activated



| Pos. | P/N         | Description                            | Q.ty | K1 | K2 | K3 | K4 |    |
|------|-------------|--|------|----|----|----|----|----|
| 1    | 60.2919.51R | Sst seat, 9,5 mm                       | 1    | •  |    |    |    | 5  |
| 2    | 10.4013.00R | Back-up ring, 16x13,2x1,2 mm           | 1    | •  |    |    |    | 10 |
| 3    | 10.3060.85R | O-ring, 1,78x12,42 mm HNbr 85          | 2    | •  |    |    |    | 10 |
| 4    | 60.2925.51R | Sst shutter v.2                        | 1    | •  |    |    |    | 5  |
| 5    | 10.4041.00R | Back-up ring, 19,3x22x1,2 mm PTFE      | 1    | •  |    |    |    | 10 |
| 6    | 10.3070.85R | O-ring, 1,78x18,77 mm Hnbr 85          | 1    | •  |    |    |    | 10 |
| 7    | 60.2906.51R | 7 mm sst piston ring                   | 1    |    |    |    |    | 3  |
| 8    | 10.4007.09R | Back-up ring, 7x11,9x1,2 mm            | 1    | •  |    |    |    | 10 |
| 9    | 10.4007.92R | Back-up ring, 7x9x2 mm                 | 1    | •  |    |    |    | 10 |
| 10   | 10.3056.85R | O-ring, 1,78x8,74 mm HNbr 85           | 1    | •  |    |    |    | 10 |
| 11   | 60.2909.51R | 7 mm sst piston ring                   | 1    |    |    |    |    | 3  |
| 12   | 60.2924.51R | Sst pin v.2                            | 1    |    |    |    |    | 5  |
| 13   | 10.3072.85R | O-ring, 1,78x21,95 mm HNbr 85          | 2    | •  |    |    |    | 10 |
| 14   | 10.4059.00R | Back-up ring, 20x22x2 mm               | 1    | •  |    |    |    | 10 |
| 15   | 10.4059.09R | Back-up ring, 20x24,9x1,2mm            | 1    | •  |    |    |    | 10 |
| 16   | 60.2610.51R | 9,2 mm sst piston ring                 | 1    |    |    |    |    | 3  |
| 17   | 10.4055.00R | Back-up ring, 9,2x11,2x2 mm            | 1    | •  |    |    |    | 10 |
| 18   | 10.3058.85R | O-ring, 1,78x10,82 mm HNbr 85          | 1    | •  |    |    |    | 10 |
| 19   | 10.4008.09R | Back-up ring, 9,2x14,1x1,2 mm          | 1    | •  |    |    |    | 10 |
| 20   | 10.4098.00R | Back-up ring, 23,2x26x1,2mm            | 1    | •  |    |    |    | 10 |
| 21   | 60.2904.51R | Lower plug, sst                        | 1    |    |    |    |    | 3  |
| 22   | 60.2902.21R | Sst. valve piston, VB40/1000 Zero      | 1    |    |    |    |    | 5  |
| 23   | 10.4161.00R | Back-up ring, 18 mm                    | 1    | •  |    |    |    | 3  |
| 24   | 10.4013.09R | Back-up ring, 13,1x18x1,2 mm           | 1    | •  |    |    |    | 10 |
| 25   | 10.4060.09R | Back-up ring, 20x22,8x1,2 mm           | 1    | •  |    |    |    | 10 |
| 26   | 10.3072.95R | O-ring, 1,78x20,35 mm Hnbr 85          | 1    | •  |    |    |    | 10 |
| 27   | 60.2905.55R | Housing -VB40/1000 Zero 3/8 .Bsp F sst | 1    |    |    |    |    | 3  |
| 28   | 10.4008.93R | Back-up ring, 9,3x14,2 x2,2 mm         | 1    | •  |    |    |    | 5  |
| 29   | 10.3057.85R | O-ring, 1,78x9,25 mm HNbr 85           | 1    | •  |    |    |    | 10 |
| 30   | 10.4162.00R | Back-up ring, 14,2 mm                  | 1    | •  |    |    |    | 3  |
| 31   | 60.2911.51R | Sst. seat check valve                  | 1    |    |    |    |    | 5  |
| 32   | 60.2910.51R | Sst shutter                            | 1    |    |    |    |    | 3  |
| 33   | 60.2916.51R | Sst. nozzle, M4 -0,3 mm                | 1    |    |    |    |    | 5  |
| 34   | 60.2601.51R | Sst spring, 1,3x8,5x28,5 mm            | 1    |    |    |    |    | 5  |
| 35   | 10.3068.85R | O-ring, 1,78x17,17 mm Hnbr 85          | 1    | •  |    |    |    | 10 |
| 36   | 10.4099.00R | Back-up ring, 17,2x20x1,2mm            | 1    | •  |    |    |    | 10 |
| 37   | 60.2912.51R | Shutter coupl., 3/8F Bsp sst           | 1    |    |    |    |    | 3  |
| 38   | 11.4629.00R | Hex. nut, M10                          | 2    |    |    |    |    | 10 |
| 39   | 60.2917.61R | Hex. nut, M10 zpl.                     | 1    |    |    |    |    | 5  |
| 40   | 60.2918.51R | Washer, 10,3x25x0,5 Ai301              | 1    |    |    |    |    | 5  |
| 41   | 60.2914.51R | Spring holding washer, sst             | 1    |    |    |    |    | 5  |
| 42   | 60.2901.61R | Spring, 12x42x128 mm black             | 1    |    |    |    |    | 1  |
| 43   | 60.2915.51R | Sst. M16x1 plug, **                    | 1    |    |    |    |    | 5  |
| 44   | 26.1046.84R | Bushing, 10x14x7 mm Plast. **          | 1    | •  |    |    |    | 10 |
| 45   | 60.2903.51R | Piston holder, sst                     | 1    |    |    |    |    | 5  |

\*\* On request

| Kit | P/N        | Description                          |   |
|-----|------------|--------------------------------------|---|
| K1  | 60.2921.24 | Spares kit -VB40/1000.Zero, 26x1pcs. | 1 |