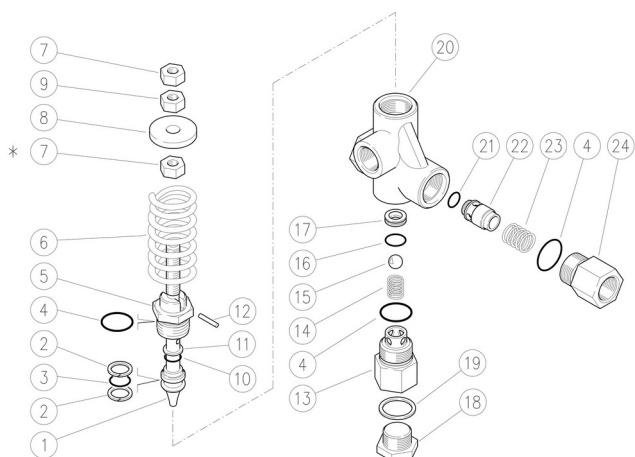


60.0430.00 VB80/400 unload. 1/2F Bsp Ai303
 60.0430.15 VB80/150 unload. 1/2F Bsp Ai303
 60.0430.40 VB80/280 unload. 1/2F Bsp Ai303
 60.0430.50 VB80/400 unload. 1/2F Npt Ai303
 60.0448.15 VB80A/150 unl. 1/2Bsp Aisi 303 white sp.-

60.0448.28 VB80A/280 unl. 1/2Bsp Aisi 303 blue spring -
 60.0455.15 VB80/150 unload. 1/2F Bsp Ai303 +vit.O-R
 60.0455.60 VB80/280 unload. 1/2F Bsp Ai303 +vit.O-R
 60.0455.80 VB80/400 unload. 1/2F Bsp Ai303 +vit.O-R



Pos.	P/N	Description	Q.ty	K1	K2	K3	K4
1	60.0432.51R	Piston, M10 Sst. (1,2,3)	1				3
1	60.0407.51R	Piston, M10 Sst.	1				5
2	10.4014.00R	Back-up ring, opn. 18x13,5x1,2 mm	2	•	•		10
3	10.3178.01R	O-ring, 2,62x13,1 mm Ni 85	1	•	•		10
3	10.3178.10R	O-ring, 2,62x13,1 mm Vi 70 (4,5,3)	1		•	•	10
4	10.3072.01R	O-ring, 1,78x20,35 mm Ni 85	3	•	•		10
4	10.3072.10R	O-ring, 1,78x20,35 mm Vi 70 (4,5,3)	3		•	•	10
5	60.0433.51R	Stem holder, Sst.	1				5
6	60.0434.61R	Spring, 8,5x38x80 mm black (1,2,3)	1				3
6	60.0412.61R	Spring, 7,5x35x70 mm blue (6,7,5)	1				10
6	60.0411.61R	Spring, 6,5x33x70 mm white (8,9,4)	1				3
7	11.4629.00R	Hex. nut, M10 (1,2)	2				10
7	11.4627.50R	Hex. nut, M10, Sst. (8,6,9,7)	3				10
8	60.0406.31R	Spring holding washer, brass	1				10
9	11.4630.00R	Hex. nut, M10 (1,2)	1				10
10	10.3174.01R	O-ring, 2,62x9,93 mm Ni 85	1	•	•		10
10	10.3174.10R	O-ring, 2,62x9,93 mm Vi 70 (4,5,3)	1		•	•	10
11	10.4015.00R	Back-up ring, 10x14,5x1,2 mm	1	•	•		10
12	15.1032.00R	Roll pin, 3x18 mm Sst.	1				10
13	60.0405.51R	Suction coupl., 1/2F Bsp Sst.	1				3
13	60.0438.51R	Suction coupl., 1/2"Npt Sst. (2)	1				3
14	60.0410.51R	Spring, 1,6x11,5x20 mm Sst.	1				5
15	14.7461.00R	Ball, 13/32" Sst.	1	•	•	•	10
16	10.3060.01R	O-ring, 1,78x12,42 mm Ni 85	1	•	•		10
16	10.3060.10R	O-ring, 1,78x12,42 mm Vi 70 (4,5,3)	1		•	•	10
17	60.0408.51R	Seat, 8,5x15,9x4,5 mm Sst.	1	•	•	•	5
18	60.0413.51R	Plug, sst. 1/2 Bsp, hex.27	1				3
18	60.0444.51R	Grub screw, sst. 1/2 Npt (2)	1				1
19	14.4101.00R	Sealing washer, 1/2 Bsp	1				10
20	60.0431.55R	Housing -VB80, 1/2F Bsp Sst.	1				3
20	60.0436.55R	Housing -VB80, 1/2F Npt Sst. (2)	1				1
21	10.3292.00R	O-ring, 4x8 mm	1	•	•		10
21	10.3292.10R	O-ring, 4x8 mm Vi 70 (4,5,3)	1		•	•	10
22	60.9403.95R	Shutter pin, Sst.+or 4x8 mm N	1				5
22	60.9403.92R	Shutter pin, Sst.+or 4x8 mm V (4,5,3)	1				5
23	60.0409.51R	Spring, 0,8x15,4x13 mm Sst.	1				5
24	60.0402.51R	Shutter coupl., 1/2F Bsp Sst.	1				3
24	60.0437.51R	Delivery coupl., 1/2"Npt Sst. (2)	1				5

Kit	P/N	Description	Q.ty
K1	60.0451.24	Spares kit -VB80/400, Sst. 9x1pcs.	1
K2	60.0435.24	Spares kit -VB80/400, Sst. 9x5pcs.	1
K3	60.0446.24	Seals kit -VB80+O-ring, FKM 7x1pcs.	1
K4	60.0452.24	Kit sp. parts -VB80 Viton, 9x5 pcs	1

(1) 60.0430.00 (2) 60.0430.50 (3) 60.0455.80 (4) 60.0455.15 (5) 60.0455.60
 (6) 60.0430.40 (7) 60.0448.28 (8) 60.0430.15 (9) 60.0448.15