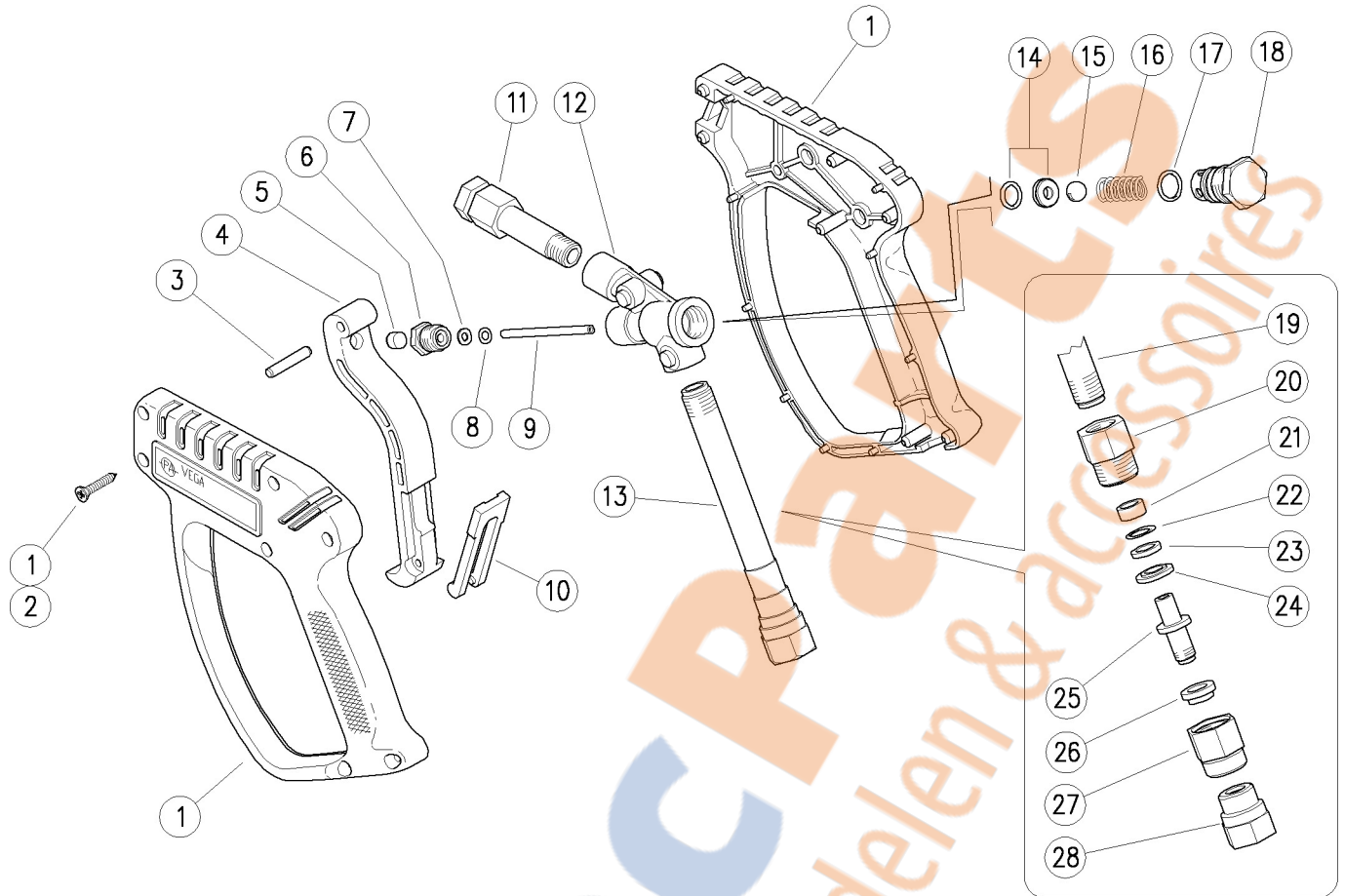


30.2055.00 Vega weep spray gun 3/8-1/4 Bsp FF

30.2055.50 Vega weep.gun 3/8F-1/4F Npt

30.2064.00 Vega weep gun +sw.8 3/8-1/4Bsp FF



Pos.	P/N	Description	Q.ty	K1	K2	K3	K4
1	30.2026.24	Casing-kit -VEGA +screws	1				1
2	16.3075.51RS	tapping scr. 3,5x18 mm sst.	7				10
3	30.2517.31R	Parallel pin, 5x27,5 mm brass	1				10
4	30.2506.84R	Trigger -RL31, PA black	1				10
5	30.0675.84R	Stop pin, 8x7,1mm PA	1				10
6	30.4115.31R	Front Plug, M10x1 brass	1				10
7	10.4018.00R	Back-up ring, 3,2x7,5x1,2 mm	1	•	•		10
8	10.3165.00R	O-ring, 2,62x2,84 mm Vi 70	1	•	•		10
9	30.2007.51R	Piston, 3 mm Sst.	1	•	•		10
10	30.1515.84R	Safety latch, PA blue	1				10
11	30.2006.35R	Front tube, 1/4F Bsp 72 mm brass	1				5
11	30.2008.35R	Front tube, 1/4F Npt 72 mm brass (1)	1				10
12	30.2005.35R	Housing -VEGA, brass	1				3
13	30.2533.35	Back tube, 3/8F Bsp brass	1				5
13	30.2534.35	Back tube, 3/8F Npt brass (1)	1				5

Pos.	P/N	Description	Q.ty	K1	K2	K3	K4
14	30.1104.20R	Seat 6mm, weeping +O-ring	1	•	•	•	10
15	14.7443.10R	Ball, 11/32" Sst.	1	•	•	•	10
16	30.2003.51R	Spring, 1,6x7x22 mm Sst.	1				10
17	10.3060.01R	O-ring, 1,78x12,42 mm Ni 85	1	•	•	•	10
18	30.2004.31R	Spring holder, M18x1 brass	1				5
19	30.2532.36R	Tube, M15 94 mm brass (2)	1				10
20	30.2531.31R	Coupl., M20x1 M brass (2)	1	•	•		5
21	30.0728.84R	Bushing, 9x13x6 mm plast. black (2)	1	•	•	•	10
22	10.3109.93R	O-ring, 2,4x8,3 mm Vi 70 (2)	1	•	•	•	10
23	10.4008.50R	Back-up ring, 9x13,2x1,2 mm (2)	1	•	•	•	10
24	30.0729.31R	Spacer ring, 9x19x3 mm brass (2)	1	•	•		10
25	30.1553.31R	Pin -SW, M10x1,25 M brass (2)	1	•	•		5
26	30.0730.84R	Bushing, 10x17x6 mm plast. black (2)	1	•	•	•	10
27	30.0733.31R	Nipple, M20x1 F brass (2)	1	•	•		5
28	30.3061.31R	Coupl., M10x1,25F-3/8F Bsp brass (2)	1	•	•		5

Kit	P/N	Description	Q.ty
K1	30.1158.24	Spare kit -Vega weep 7x1 pcs	1
K2	30.9326.99R	Kit -Sw8, M15F -3/8F Bsp	5
K3	30.2058.24	Spare Kit -Vega weep gun + Sw8, 11x1 pzs	1

(1) 30.2055.50 (2) 30.2064.00