



EQUIPAGGIAMENTI
TECNICI
LAVAGGIO

29.0150.00
RUBIN. IN PLAST. CON GALLEGG.
PLASTIC FLOAT VALVE

①

GB

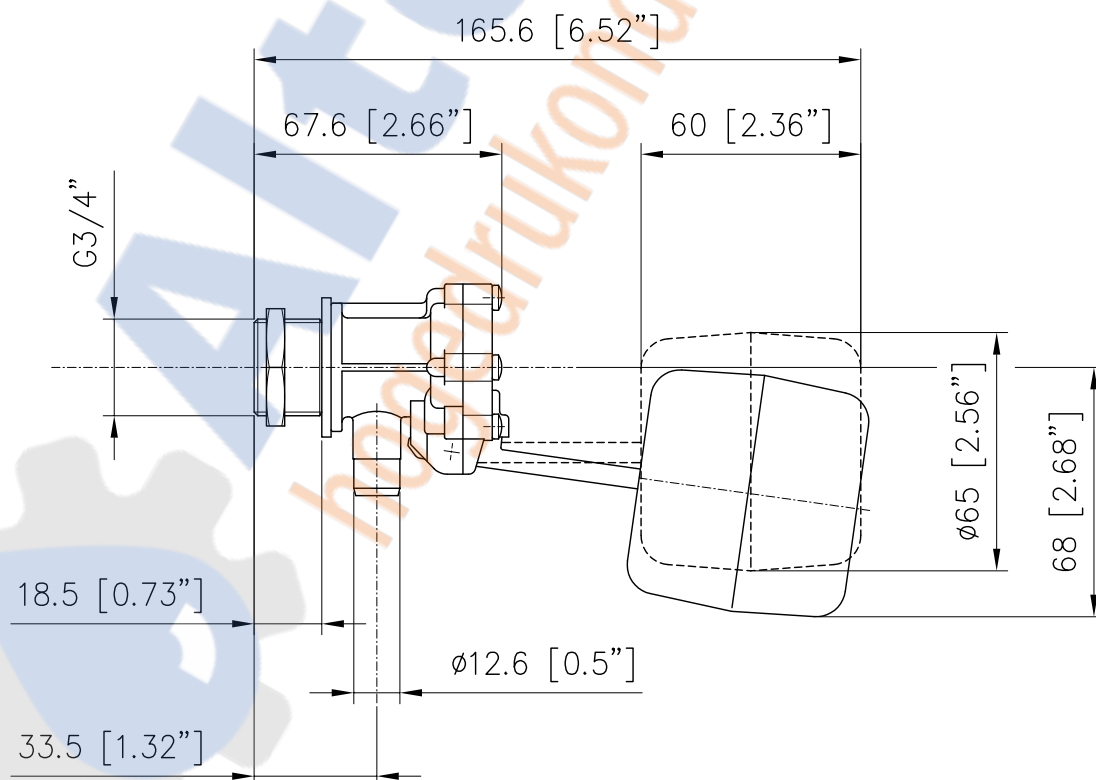
8

29/09/05

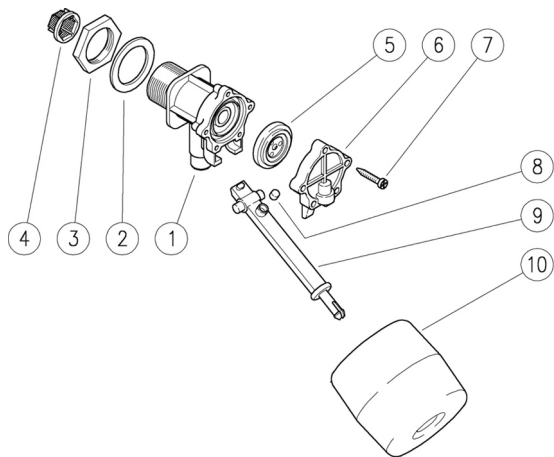
CARATTERISTICHE TECNICHE SPECIFICATIONS

- FUNZIONAMENTO WORKING	APERTURA E CHIUSURA CON COMANDO COMPENSATO A MEMBRANA FLOW ON-OFF DIAPHRAGM ASSISTED
- PRESSIONE MASSIMA MAX PRESSURE	10 bar – 0.1 MPa (145 psi)
- PORTATA FLOW RATE AT 1 bar – 0.1 MPa (14.5 psi)	25 l/min (6.5 USG p.m.)
A 2 bar – 0.2 MPa (29 psi) AT 2 bar – 0.2 MPa (29 psi)	30 l/min (8 USG p.m.)
- TEMPERATURA MASSIMA MAX WORKING TEMPERATURE	60° C (140°F)

MISURE D'INGOMBRO OVERALL DIMENSIONS



29.0150.00 RGP regolatore gall.plast.G3/4M



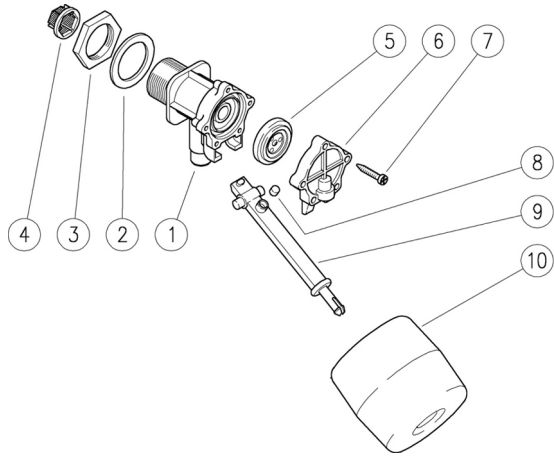
Pos.	Codice	Descrizione	Q.tà	K1	K2	K3	K4	
1	29.0141.84	Corpo RGP G3/4M PP nero	1					5
2	29.0189.81	Guarn. Front. 26x36x2 mm NBR	1					10
3	29.0188.31	Dado G3/4F ott.	1					10
4	29.0153.84	Filtro ingresso 19 mm	1	•				10
5	29.0151.21	Guarn. frontale	1	•				10
6	29.0144.84	Coperchio RGP PP nero	1					5
7	16.3077.00	Vite autofil. DIN7981 3,5x18 mm	5					10
8	29.0145.81	Guarn. frontale 5x4 mm NBR	1					10
9	29.0142.84	Asta RGP PP nero	1					5
10	29.0143.84	Galleggiante RGP PE-HD nero	1					10

Kit	Codice	Descrizione	
K1	29.0154.24	Kit ric. RGP 2x10pz.	1



Altec
 hagedrukonderdelen & accessoires

29.0150.00 RGP Float valve,plast.3/4M Bsp



Pos.	P/N	Description	Q.ty	K1	K2	K3	K4	
1	29.0141.84	Housing -RGP 3/4M Bsp PP black	1					5
2	29.0189.81	Front seal, 26x36x2 mm NBR	1					10
3	29.0188.31	Nut, 3/4F Bsp brass	1					10
4	29.0153.84	Inlet strainer, 19 mm	1	•				10
5	29.0151.21	Front seal	1	•				10
6	29.0144.84	Lid, RGP PP black	1					5
7	16.3077.00	S/tapping screw, DIN7981 3,5x18 mm	5					10
8	29.0145.81	Front seal, 5x4 mm NBR	1					10
9	29.0142.84	Rod -RGP, PP black	1					5
10	29.0143.84	Float body -RGP, black	1					10

Kit	P/N	Description	
K1	29.0154.24	Spares kit - RGP 2x10pcs.	1



Altec
 hogedrukonderdelen & accessoires

Altec Parts
gedrukkonderdelen & accessoires

P.A. SpA EQUIPAGGIAMENTI TECNICI DEL LAVAGGIO

Via Milano, 13 42048 Rubiera - (RE) ITALY

Tel +39 0522 623611 (ric aut) - Fax +39 0522 629600

Info@pa-etl.it - www.pa-etl.it

**COMPANY WITH
QUALITY SYSTEM
CERTIFIED BY DNV GL
= ISO 9001 =**