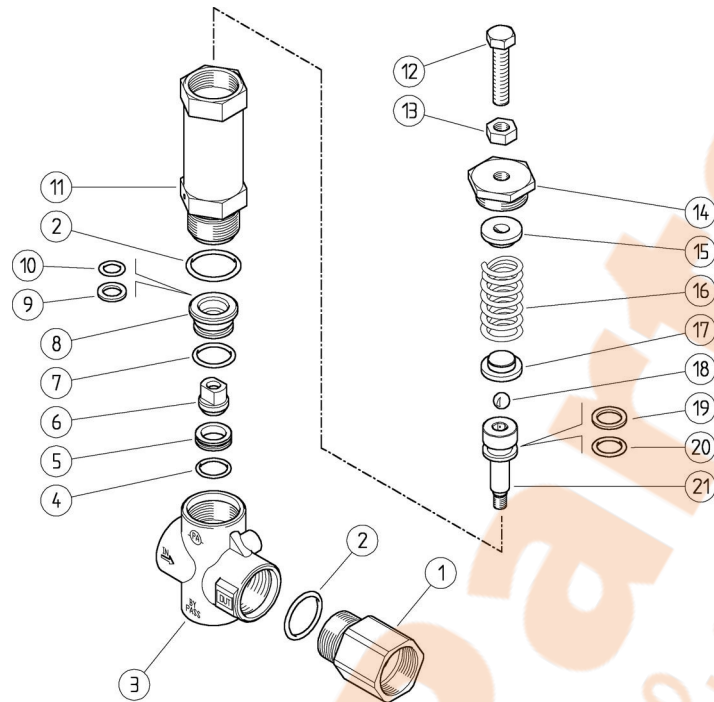


60.0545.00 VRP 175 safety valv. 1" F Bsp



Pos.	P/N	Description	Q.ty	K1	K2	K3	K4	
1	60.5026.31R	Coupling, 1"Bsp F brass	1					3
2	10.3206.01R	O-ring, 2,62x28,25 mm	2	•				10
3	60.5024.35R	Hous.-VB200/150-1"Bsp FF	1					1
4	10.3072.01R	O-ring, 1,78x20,35 mm Ni 85	1	•				10
5	60.5002.51R	Seat, 15,8x23x6 mm Sst.	1	•				5
6	60.5003.51R	Shutter pin, M8 Sst.	1	•				3
7	10.3195.01R	O-ring, 2,62x20,29 mm Ni 90	1	•				10
8	60.5010.31R	Reduction bushing, brass	1					10
9	10.4080.00R	Back-up ring, 12x18,2x2 mm	1	•				10
10	10.3234.00R	O-ring, 3,53x10,69 mm	1	•				10
11	60.5009.31R	Piston holder, brass	1					3

Pos.	P/N	Description	Q.ty	K1	K2	K3	K4	
12	60.5011.61R	Valve regulating screw, M10x44 z.pl.	1					10
13	11.4629.00R	Hex. nut, M10	1					10
14	60.5008.31R	Upper plug, M10 brass	1					10
15	60.5007.31R	Spring guide spacer, brass	1					10
16	60.5006.61R	Spring, 6x30x62 mm	1					5
17	60.5005.31R	Spring guide spacer, brass	1					10
18	14.7461.00R	Ball, 13/32" Sst.	1					10
19	10.4081.00R	Back-up ring, 15,8x22x2 mm	1	•				10
20	10.3237.00R	O-ring, 3,53x15,47 mm	1	•				10
21	60.5004.51R	Piston, M8 Sst.	1					5

Kit	P/N	Description	
K1	60.0546.24	Spares kit -Vrp 175, 9x1pcs.	1