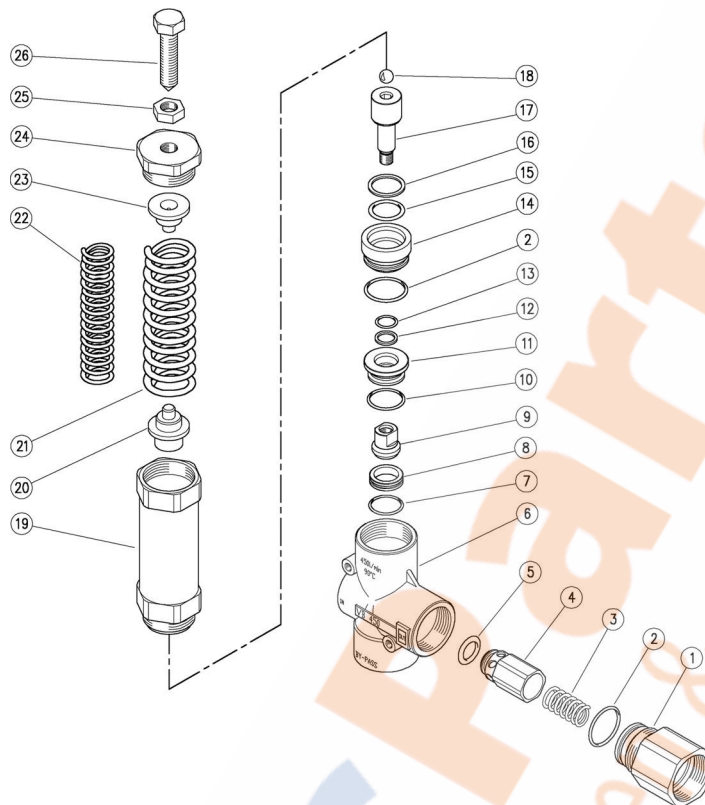


60.4020.00 VB450/200 unload. 1"1/4 Bsp F  
 60.4030.00 VB450/300 unload. 1"1/4 Bsp F

60.4220.00 VRP 450/200 reg.valv 1"1/4 Bsp F  
 60.4230.00 VRP 450/300 reg.valv.1"1/4 Bsp F



Pos.	P/N	Description	Q.ty	K1	K2	K3	K4	Pos.	P/N	Description	Q.ty	K1	K2	K3	K4
1	60.4014.31R	Piston holder, 1"1/4 Bsp F	1				3	14	60.4007.31R	Bushing	1				3
2	10.3208.28R	O-ring, 2,62x36,17 mm Ni85	2	•	•		5	15	10.3246.05R	O-ring 3,53x28,17 mm	1	•	•		5
3	60.4013.51R	Spring, 1,6x23,1x44mm (1,2)	1				3	16	10.4096.00R	Back-up ring, 28x34x2mm	1	•	•		5
4	60.4012.31R	Check valve (1,2)	1				3	17	60.4004.51R	Piston, M 12	1				3
5	10.3350.00R	O-ring, 6x18 mm (1,2)	1	•			10	18	14.7465.00R	Ball, 1/2" Sst.	1				5
6	60.4001.35R	Housing -VB450, 1"1/4Bsp F, brass	1				1	19	60.4009.31R	Piston holder	1				1
7	10.3077.08R	O-ring, 1,78x28,3 mm Ni 85	1	•	•		10	20	60.4010.31R	Ball holder	1				3
8	60.4002.51R	Seat	1	•	•		3	21	60.4006.61R	Spring, 9x33x110mm	1				2
9	60.4003.51R	Shutter, M 12	1	•	•		3	22	60.4015.61R	Spring (2,3)	1				2
10	10.3206.08R	O-ring, 2,62x28,25 mm Ni85	1	•	•		10	23	60.4016.31R	Spring holder	1				3
11	60.4005.31R	Bushing	1				3	24	60.4008.31R	Screw plug M 48	1				3
12	10.4084.00R	Back-up ring, 16x20,5x2mm	1	•	•		5	25	11.4845.00R	Nut, M16x1,5 Sst.	1				5
13	10.3181.20R	O-ring, 2,62x15,88 mm	1	•	•		10	26	60.4011.51R	Screw, M16x54mm Sst.	1				3

Kit	P/N	Description	Q.ty
K1	60.4022.24	Spares kit -VB 450/200-300, 10x1pcs.	1
K2	60.4222.24	Spares kit -VRP 450/200-300, 9x1pcs.	1

(1) 60.4020.00 (2) 60.4030.00 (3) 60.4230.00