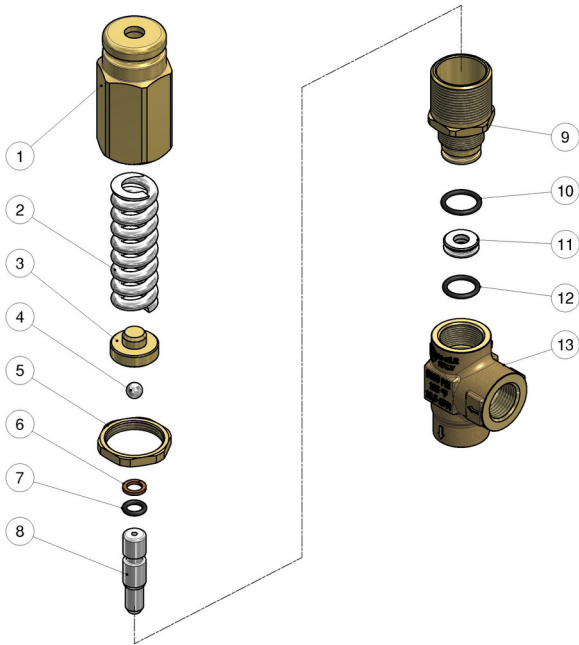


60.0500.00 VS 310 safety valv. 3/8F Bsp -1 inl.port



Pos.	P/N	Description	Q.ty	K1	K2	K3	K4	
1	60.0532.31R	Valve regulating knob, M24 brass	1					10
2	60.0584.61R	Spring, 4,2x18,4x56 mm z.pl.	1					5
3	60.0583.31R	Spring guide spacer, brass	1					5
4	14.7421.50R	Ball, 1/4" Sst.	1					10
5	60.0523.31R	Ring nut, M24x1,25 brass	1					10
6	10.4003.06R	Back-up ring, 6,2x9,2x1,2 mm	1	•				10
7	10.3051.01R	O-ring, 1,78x6,07 mm	1	•				10
8	60.0510.51R	Vs310 sst. piston	1					2
9	60.0507.31R	Spring coupl.	1					2
10	10.3060.01R	O-ring, 1,78x12,42 mm Ni 85	1	•				10
11	30.5516.51R	Seat, 6,0x13,9 mm	1	•				10
12	10.3059.01R	O-ring, 1,78x11,11 mm Ni 85	1	•				10
13	60.0505.35R	Housing -VS310, 3/8F Bsp brass	1					2

Kit	P/N	Description	
K1	60.0508.24	Spares kit -VS310, 5x1pcs.	1

