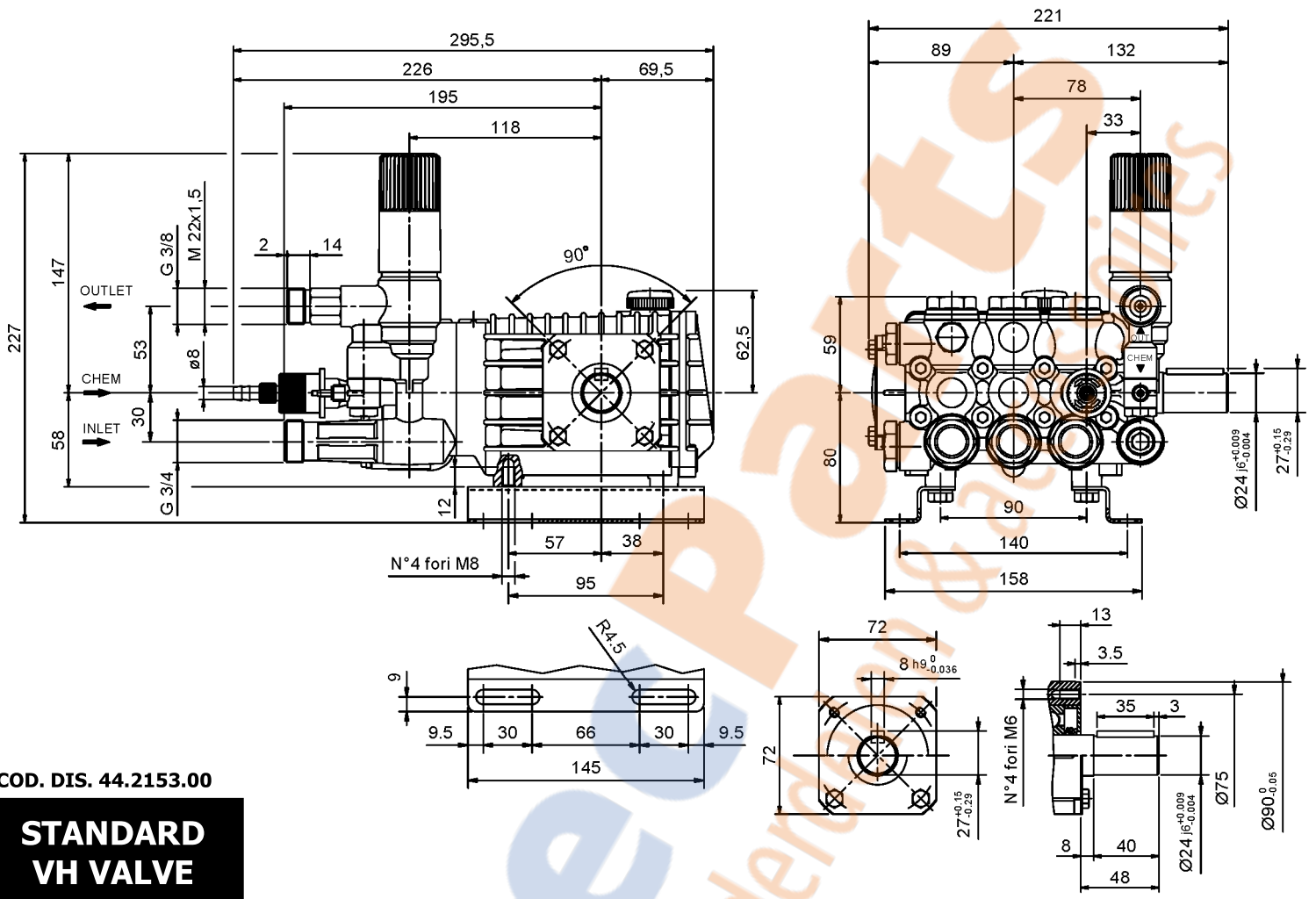
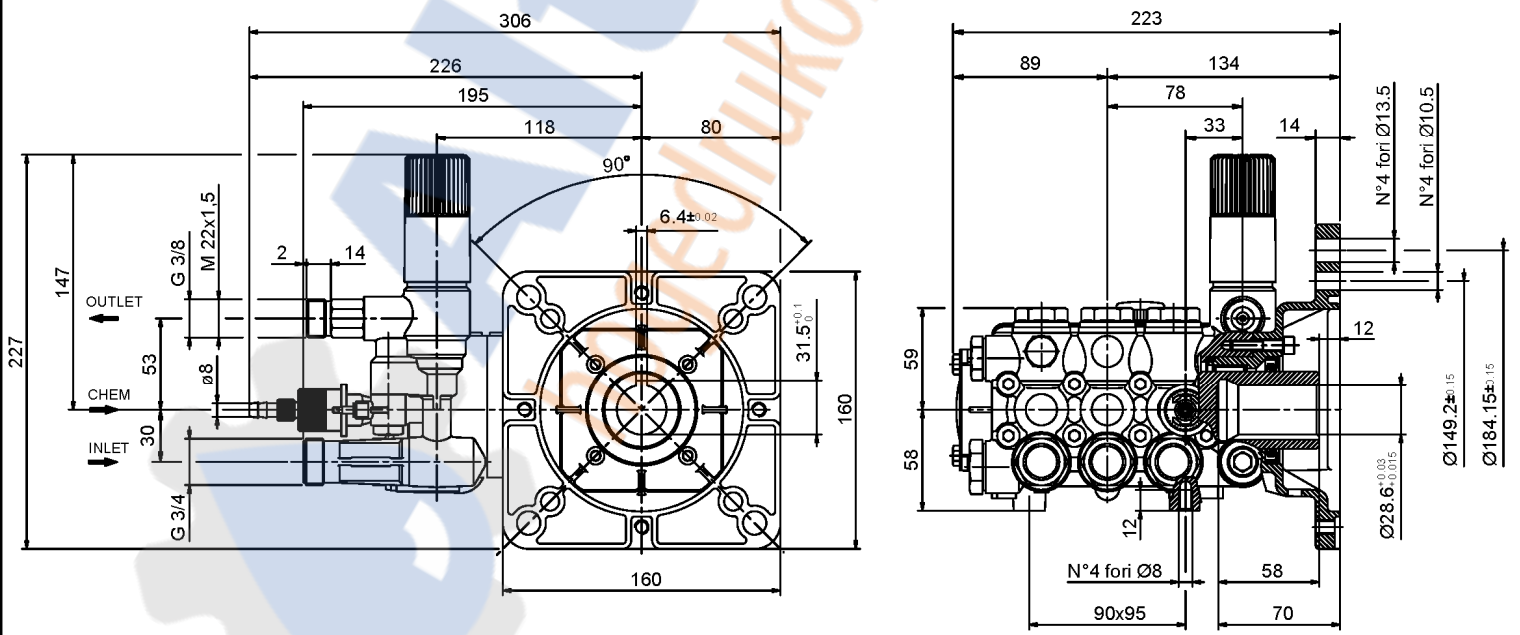


**DIMENSIONI D'INGOMBRO – OVERALL DIMENSIONS – DIMENSIONS D'ENCOMBREMENT
RAUMBEDARF – DIMENSIONES TOTALES – DIMENSÕES**



COD. DIS. 44.2153.00

**STANDARD
VH VALVE**



A – VH VALVE

COD. DIS. 44.2154.00

**W950 – W951
W952 – W953
W954 – W955
W956 – W957
W958 – W959
WW964 – WW965**