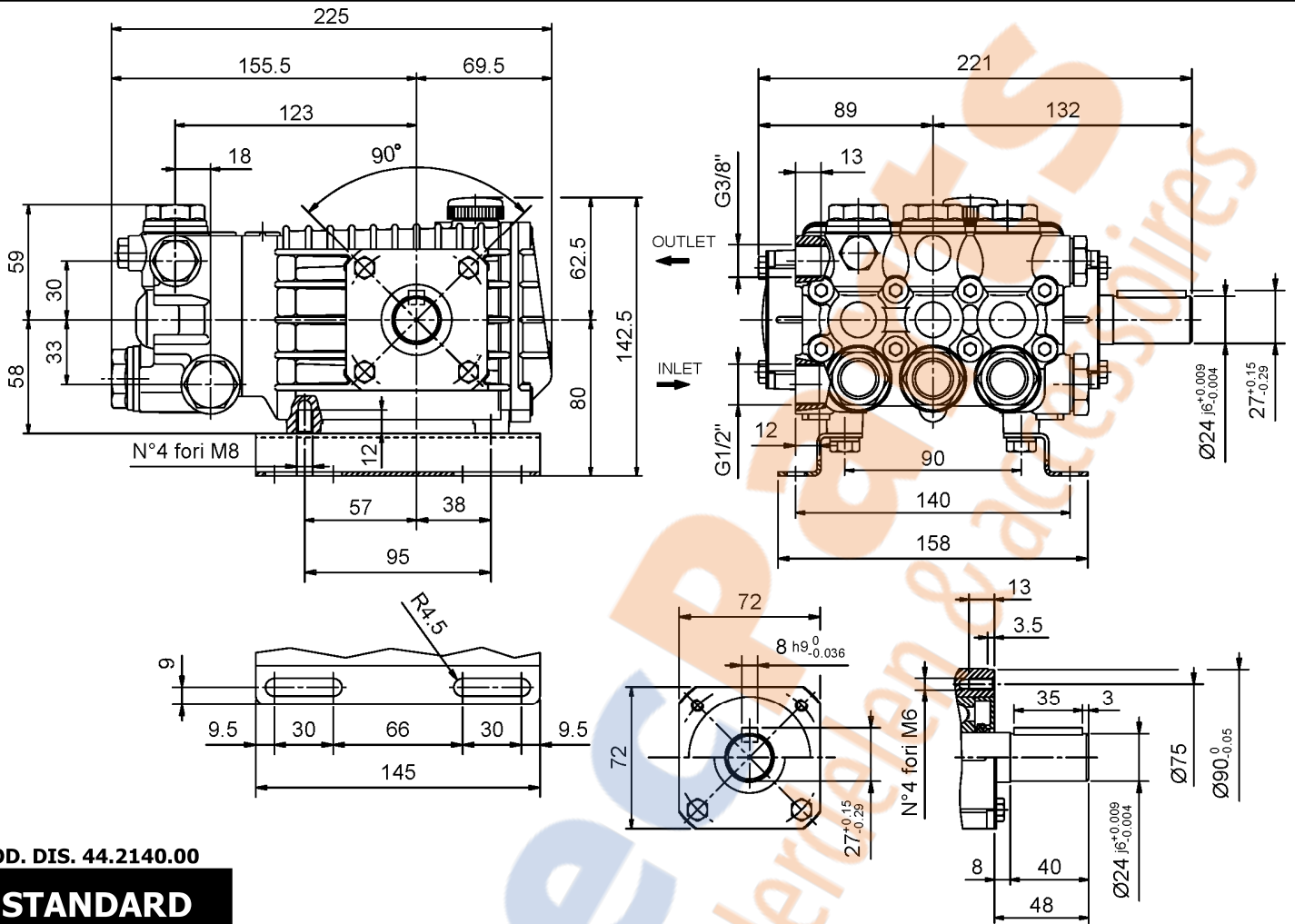
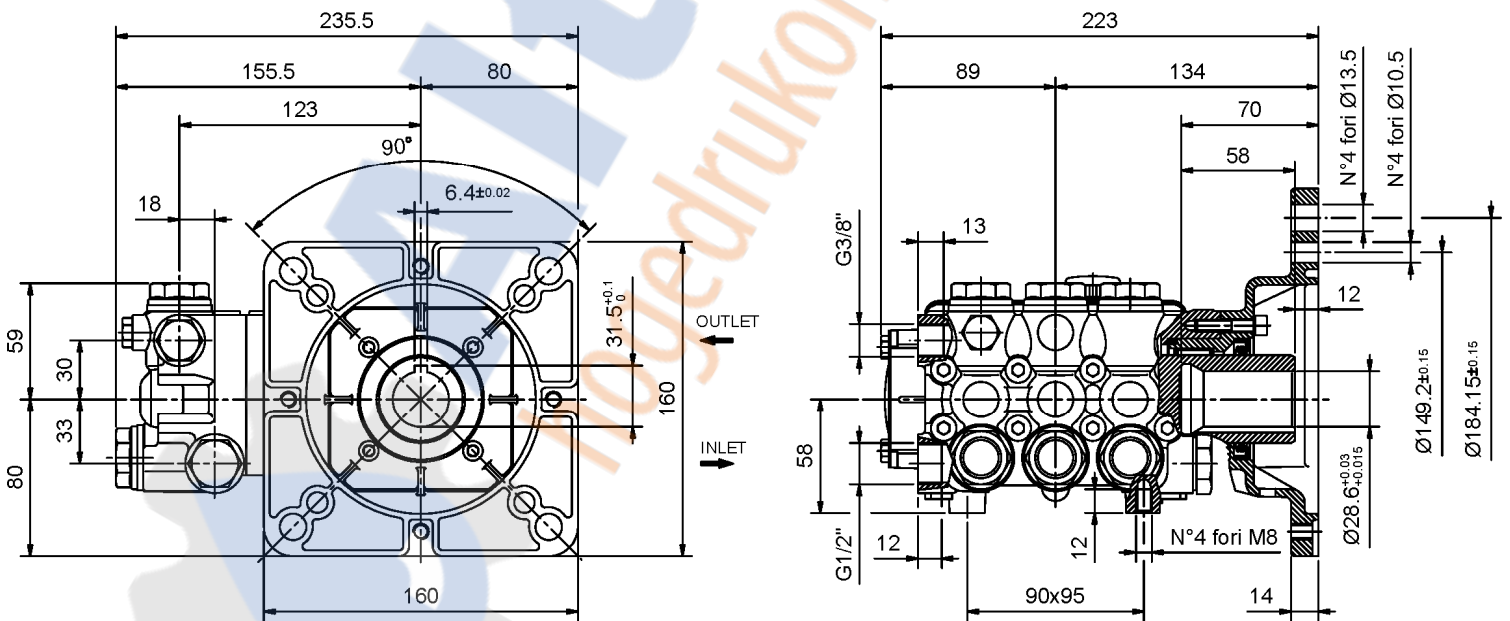


**DIMENSIONI D'INGOMBRO – OVERALL DIMENSIONS – DIMENSIONS D'ENCOMBREMENT
RAUMBEDARF – DIMENSIONES TOTALES – DIMENSÕES**



COD. DIS. 44.2140.00

STANDARD



A

COD. DIS. 44.2143.00

**W950 – W951
W952 – W953
W954 - W955
W956 – W957
W958 – W959
W14200 – W16180
WW964 - WW965**