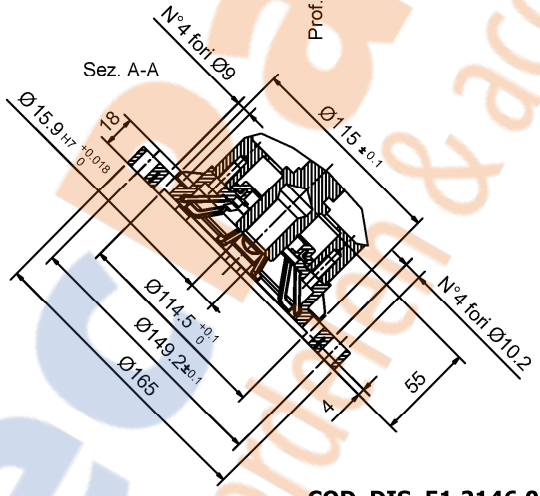
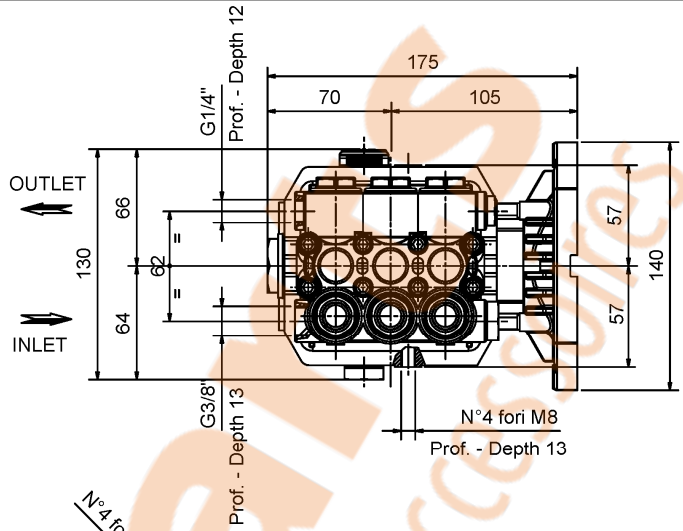
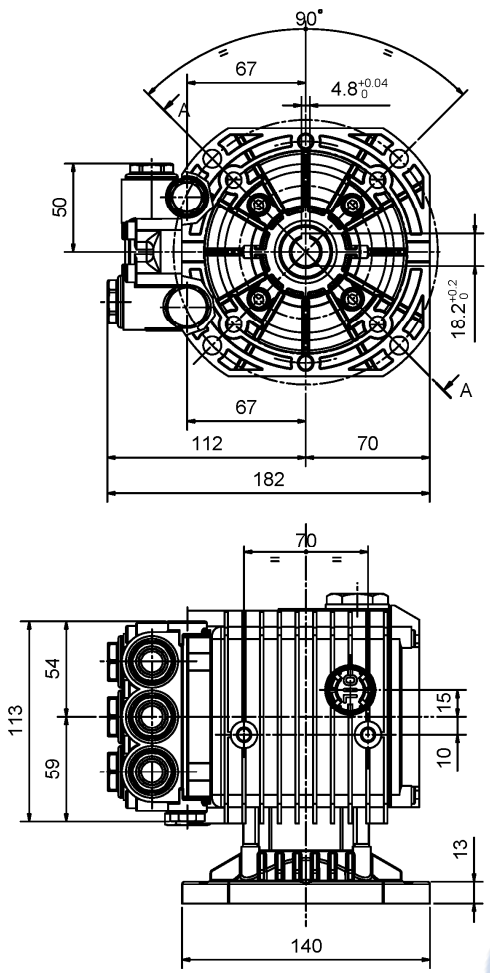


**DIMENSIONI D'INGOMBRO – OVERALL DIMENSIONS – DIMENSIONS D'ENCOMBREMENT
RAUMBEDARF – DIMENSIONES TOTALES – DIMENSÕES**

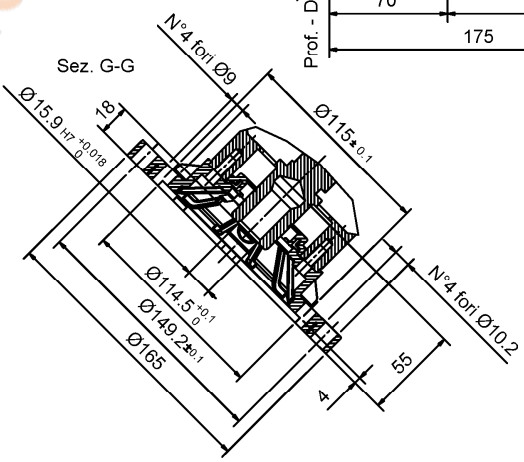
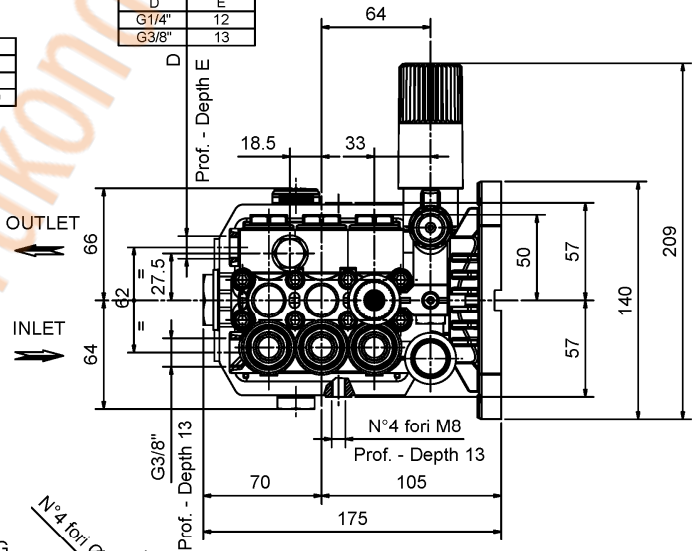
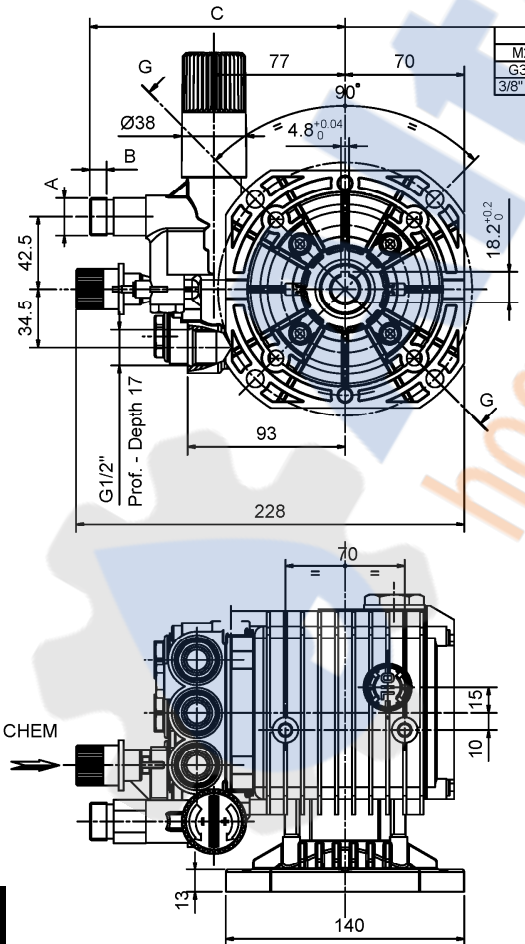


**W905 – T9051
T1508
T1209
T1212
WW906 – TT9061
WW907 – TT9071**

COD. DIS. 51.2146.00

	A	B	C
M22 - M	10	150	
G3/8" - M	11	140	
3/8" NPT - F	10	150	

D	E
G1/4"	12
G3/8"	13



COD. DIS. 51.215300

VH VALVE