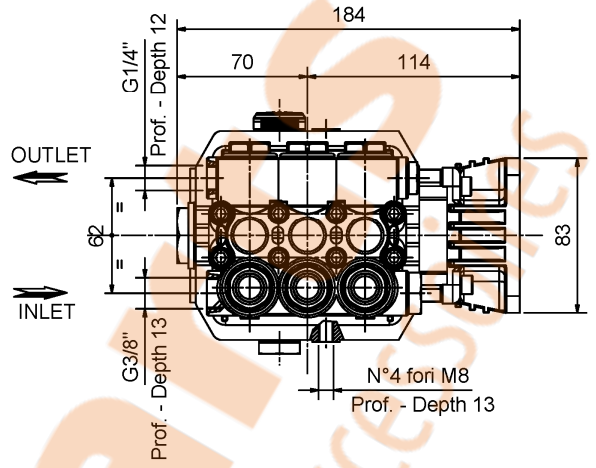
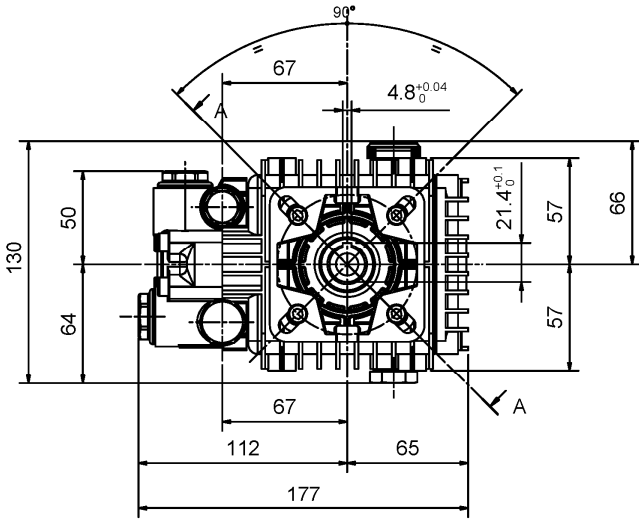
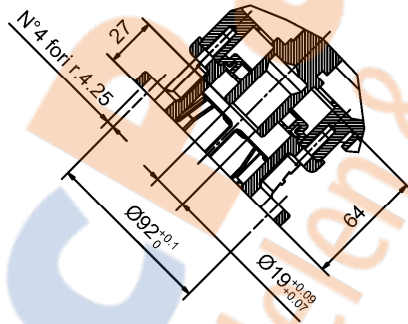
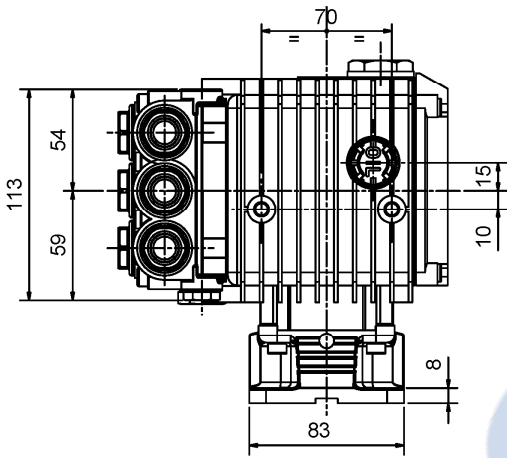


**DIMENSIONI D'INGOMBRO – OVERALL DIMENSIONS – DIMENSIONS D'ENCOMBREMENT
RAUMBEDARF – DIMENSIONES TOTALES – DIMENSÕES**

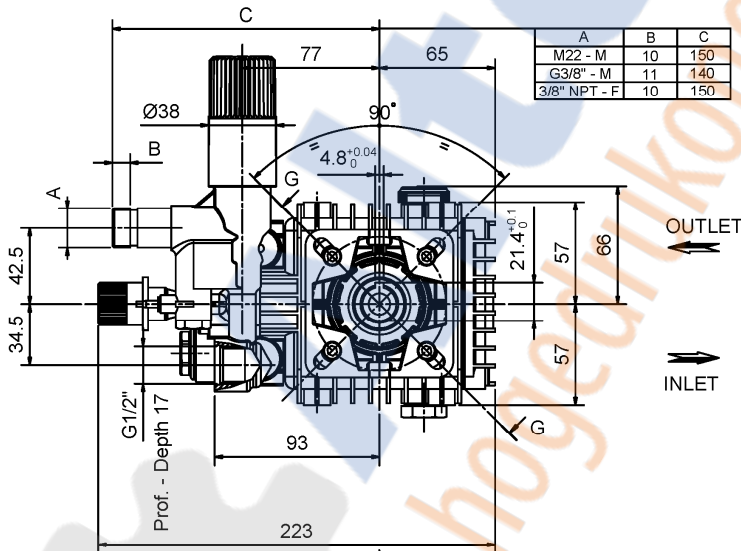


Sez. A-A



- WW906 – TT9061
- TT1508
- TT1510
- WW907 – TT9071
- TT1511
- TT1512
- WW909 – TT9091
- TT1513

COD. DIS. 51.2148.00



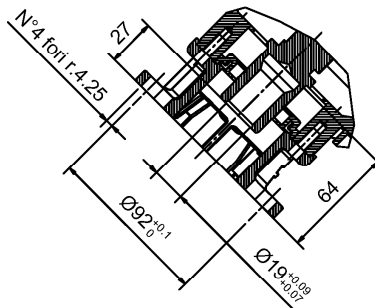
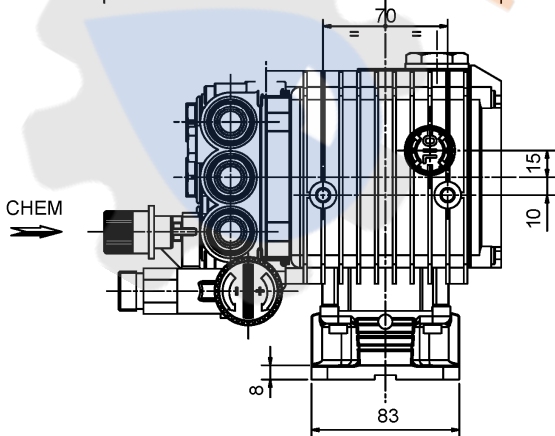
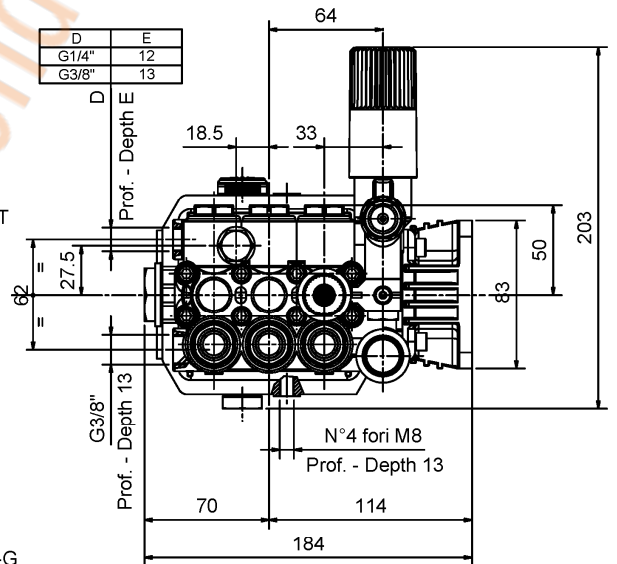
A	B	C
M22 - M	10	150
G3/8" - M	11	140
3/8" NPT - F	10	150

D	E
G1/4"	12
G3/8"	13

OUTLET

INLET

Sez. G-G



COD. DIS. 51.2155.00

VH VALVE