

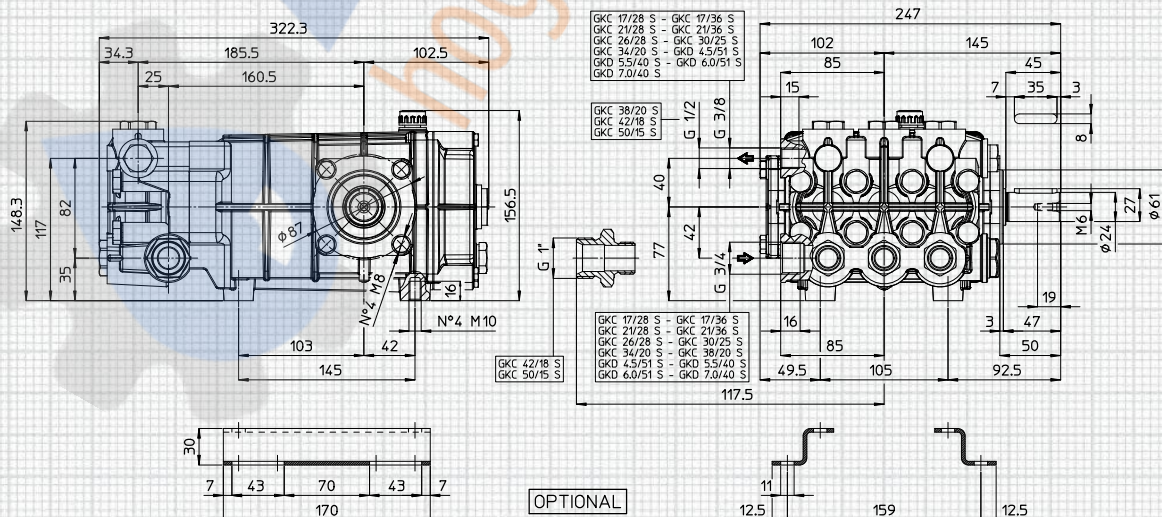


RPM	MODELLO MODEL	PORTATA FLOW		PRESSIONE PRESSURE		POTENZA POWER		PESO WEIGHT
		l/min	GPM	bar	PSI	HP	kW	
1450	GKC 17/28 S	17.0	4.5	280	4060	12.2	9.0	17.4
	GKC 17/36 S	17.0	4.5	350	5075	15.3	11.2	17.4
	GKC 21/28 S	21.0	5.5	280	4060	15.1	11.1	17.4
	GKC 21/36 S	21.0	5.5	350	5075	18.8	13.9	17.4
	GKC 26/28 S	26.0	6.9	280	4060	18.7	13.7	17.4
	GKC 30/25 S	30.0	7.9	250	3625	19.2	14.1	17.4
	GKC 34/20 S	34.0	9.0	200	2900	17.4	12.8	17.4
	GKC 38/20 S	38.0	10.0	200	2900	19.5	14.3	17.4
	GKC 42/18 S	42.0	11.1	180	2610	19.4	14.2	17.5
1750	GKC 50/15 S •	50.0	13.2	150	2175	19.2	14.1	17.5
	GKD 4.5/51 S	17.0	4.5	350	5075	15.3	11.2	17.4
	GKD 5.5/40 S	20.8	5.5	280	4060	14.9	11.0	17.4
	GKD 6.0/51 S	22.7	6.0	350	5075	20.4	15.0	17.4
	GKD 7.0/40 S	26.5	7.0	280	4060	19.0	14.0	17.4

S = Albero Maschio 24 mm
S = Male Shaft 24 mm

• Minimo 0.1 bar (1.5 PSI) di pressione in entrata / Min. 0.1 bar (1.5 PSI) inlet pressure

Dimensioni d'ingombro (mm) - Overall Dimensions (mm)



OPTIONAL